

EARLEX SPRAY STATION® HV5500



(GB)

**BEFORE USE – PLEASE READ THE MAIN
MANUAL AND SAFETY INSTRUCTIONS.**

Please retain for future reference.

(DE)

**VOR GEBRAUCH BITTE DIE
BENUTZERANLEITUNG UND
SICHERHEITSHINWEISE LESEN.**

Bitte bewahren Sie diese Anleitung auf.

(FR)

**AVANT UTILISATION – MERCI DE BIEN
LIRE CE MANUEL AINSI QUE LES
CONSIGNES DE SÉCURITÉ**

Merci de conserver ce manuel pour
toute consultation future.

(NL)

**LEES VOOR HET GEBRUIK DE BELANGRIJKSTE
INSTRUCTIES IN HET HANDBOEK EVENALS DE
VEILIGHEIDSINSTRUCTIES.**

Deze informatie voor toekomstige gebruik
beschikbaar houden.

(ES)

**A NTES DE SU USO, LEA EL MANUAL
Y LAS INSTRUCCIONES DE SEGURIDAD**

Guarde este manual para su consulta
en un futuro.

(RU)

**ПРЕЖДЕ ЧЕМ ПРИСТУПАТЬ К ЭКСПЛУАТА-
ЦИИ, ПРОЧТИТЕ ОСНОВНОЕ РУКОВОД-
СТВО И ИНСТРУКЦИЮ ПО БЕЗОПАСНОСТИ.
Сохраните, пожалуйста, для последующего
использования.**

(IT)

**PRIMA DELL'USO, LEGGERE IL
MANUALE E LE ISTRUZIONI DI SICUREZZA.**

Conservare per un riferimento futuro.

GB IMPORTANT INFORMATION

DE WICHTIGE INFORMATIONEN

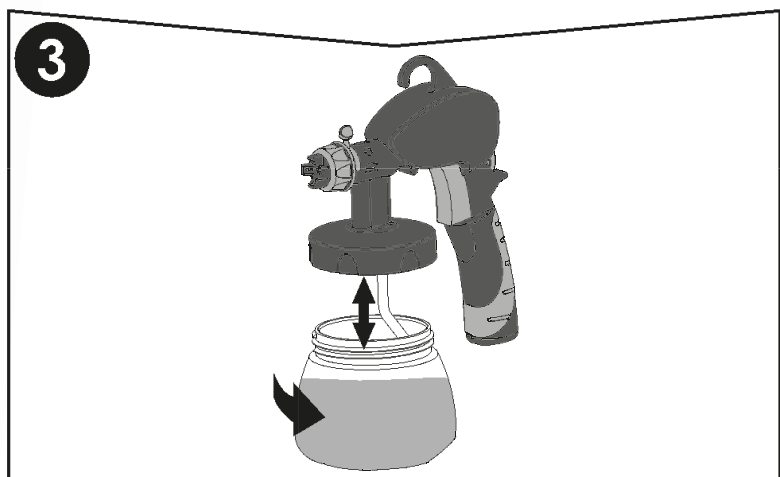
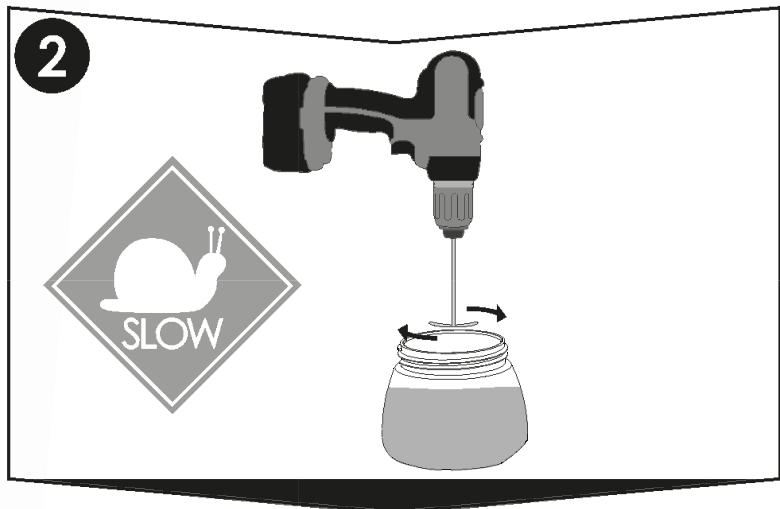
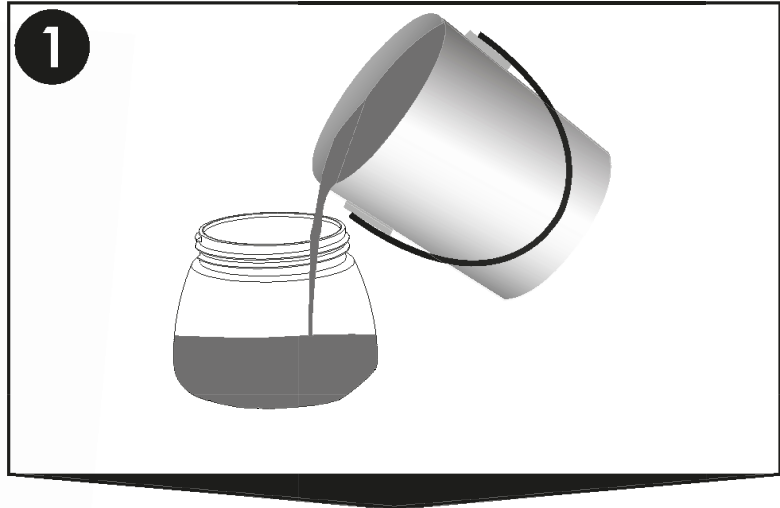
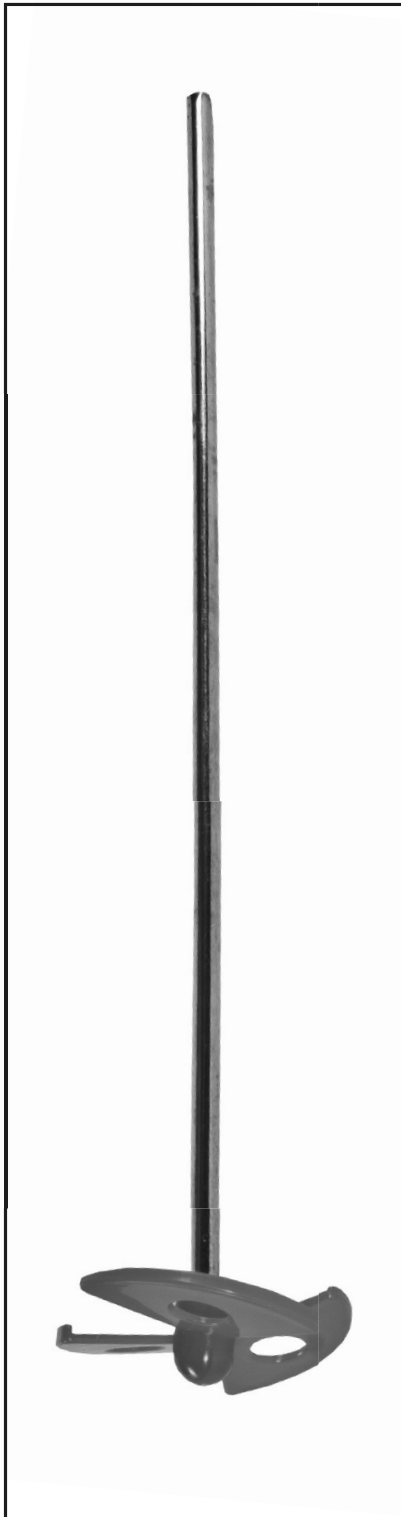
FR IMPORTANT

NL BELANGRIJKE INFORMATIE

ES INFORMACIÓN IMPORTANTE

RU ВАЖНАЯ ИНФОРМАЦИЯ

IT INFORMAZIONI IMPORTANTI



SAFETY OPERATING INSTRUCTIONS

WARNING! FIRE AND EXPLOSION HAZARD



- **WARNING: The substances used with this spray gun (paint, thinners, etc) may contain hazardous, harmful, explosive or corrosive materials. ALWAYS COMPLY WITH THE SAFETY INSTRUCTIONS ISSUED WITH THIS PRODUCT AND THE MATERIAL BEING USED.**
Only use the unit as detailed in these instructions.
- NEVER under any circumstances aim the nozzle at another person or animal. In the event of injury occurring seek expert medical advice immediately.
- The spray gun must only be used with paints and solvents that have a suitable flash point for spraying. If in doubt consult paint or solvent manufacturer's data.
- Always ensure there is adequate ventilation when spraying.
- NEVER spray near a naked flame, including appliance pilot flame.
- NEVER use this spray gun outside when raining.
- NEVER smoke whilst spraying.
- NEVER allow children to operate or play with the spray gun.
- Always read the paint manufacturer's thinning instructions before use.
- Always disconnect unit from mains supply when refilling the paint container.
- If the supply cord is damaged, it must be replaced by Earlex Ltd or our appointed agents to avoid a hazard.
- Before cleaning, always disconnect unit from the mains supply.
- Always wear the correct protective face mask when spraying. We recommend the use of gloves, goggles and overalls.
- After every use ensure that you clean your spray gun thoroughly and grease the fluid needle packing.
- This appliance can be used by children aged from 8 years and above and persons with reduced physical, sensory or mental capabilities or lack of experience and knowledge if they have been given supervision or instruction concerning use of the appliance in a safe way and understand the hazards involved. Children shall not play with the appliance. Cleaning and user maintenance shall not be made by children without supervision.
- Use only genuine Earlex replacement parts.
- Earlex recommend the use of appropriate ear protection when using this product.
- Sound pressure level: 85 dB (A)

SELECTING PAINT

This is a highly versatile spray kit that can be used with several different spray mediums including varnishes, wood preservatives, enamels, oil and water-based paints and automotive paints. However some materials cannot be sprayed so please check the recommendation of the manufacturer before buying the paint. If a material refers to brush application only then it usually cannot be sprayed.

THIS UNIT CANNOT BE USED FOR TEXTURED PAINTS. USE OF THESE MATERIALS WILL CAUSE PREMATURE WEAR, WHICH WILL VOID YOUR GUARANTEE. TO OBTAIN THE BEST RESULTS FROM YOUR SPRAY KIT PLEASE READ THE INSTRUCTIONS CAREFULLY BEFORE USE.

SURFACE AND JOB PREPARATION

Preparation of the surface and thinning of the paint are the two most important areas to be concerned with to obtain the best results from your spray kit. Ensure all surfaces are free from dust, dirt, rust and grease. If necessary rub down with sandpaper, or similar. Masking of areas is important to ensure you do not spray those areas you wish to remain untouched.

OPERATION

Fill the paint container with the material to be sprayed. Take care not to overfill. Stir well using Paint Stirrer (31) supplied.

Take the spray gun unit and with the Clamp Lever (22) turned fully anticlockwise, locate the spray gun unit into the Paint Container (17). Rotate the container until the 2 pins locate into the recesses in the Yoke (23). Now turn the clamp lever clockwise to secure the paint container to the lid. Do not over-tighten.

Place the motor unit onto a clean and level floor space, free from any loose debris, liquids or dust sheets that could block the motor inlet. Uncoil the Air Hose (28) and attach it to the back of the spray gun and the other end to the Spray Station. Uncoil the power cord from the base of the unit and plug in.

ALWAYS KEEP THE MOTOR UNIT AS FAR AWAY FROM THE SPRAYING AREA AS POSSIBLE TO PREVENT PAINT CONTAMINATING THE MOTOR. MASK ANY AREA YOU DO NOT WISH TO SPRAY.

Once you have set up and are ready to spray, switch on the unit. No paint will be sprayed from the gun until the trigger on the spray gun is pulled. Before starting any work on spraying actual objects we suggest you spend time practicing on cardboard or newspaper until you have got used to how the gun works.

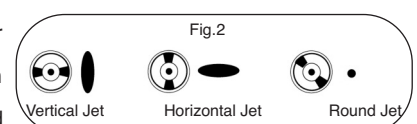
SPRAY PATTERNS

The gun has 3 different spray patterns – Horizontal, Vertical and Round (Fig.2).

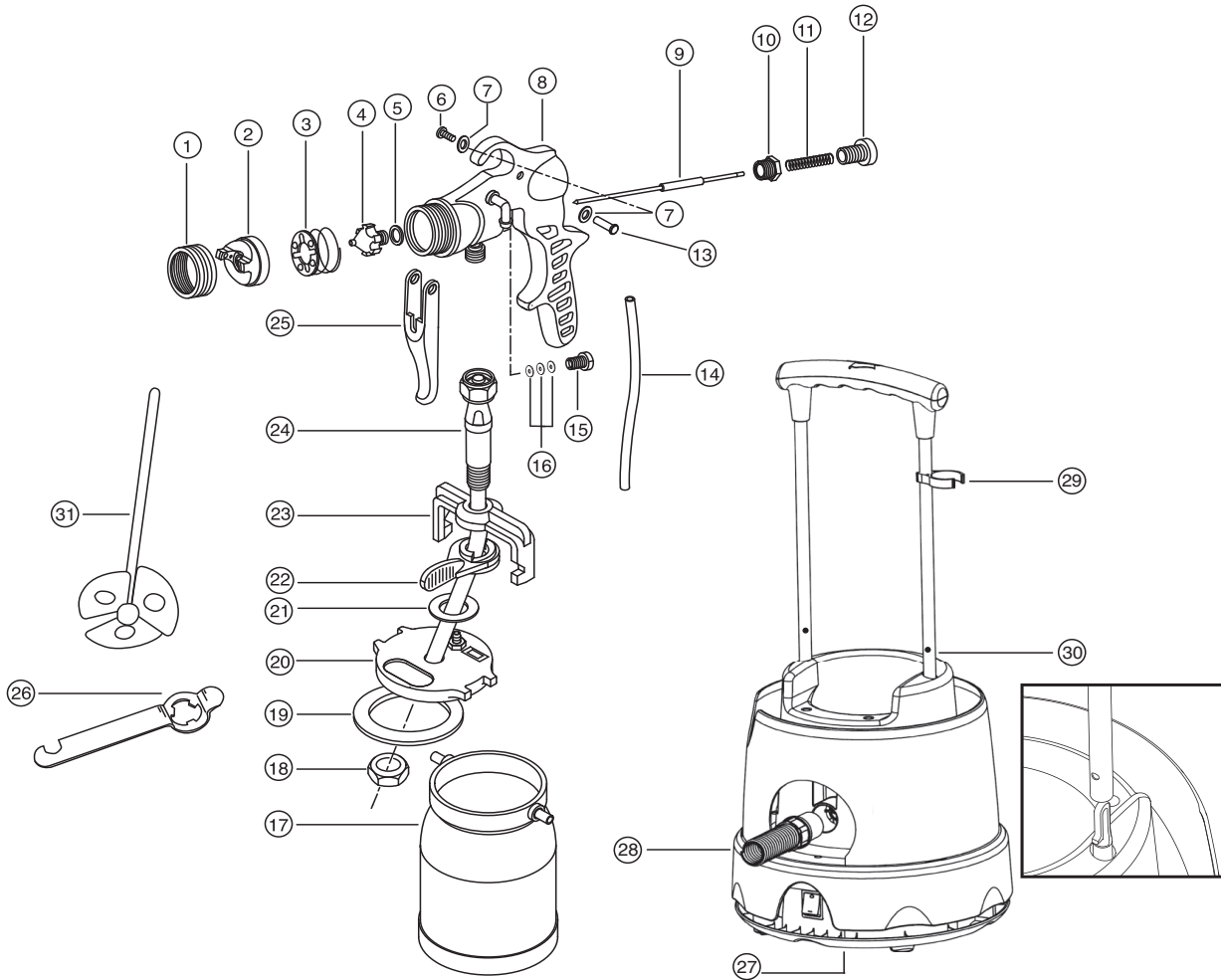
The Horizontal and Vertical sprays are recommended for large surfaces. The round spray is used for small objects or for areas - such as corners – that are difficult to reach.

To change the spray pattern simply rotate the Air Cap (2) until it clicks into the desired settings as shown in (Fig.2).

The overall size of the selected spray pattern can be varied by turning the Air Cap Ring (1). When viewed from the front, rotate it clockwise to increase the pattern size or anticlockwise to reduce the pattern size.



EXPLODED PARTS VIEW



The following parts are available from Earlex. Please call our helpline:
+44 (0)1483 454666

PARTS LIST

No.	Description	Part No	No.	Description	Part No
1.	Air Cap Ring	L0151	17.	Paint Container	L0190
2.	Air Cap	L0152	18.	Centre Bolt Nut	L0189
3.	Air Distributor Plate	L0162	19.	Gasket	L0188
4.	Fluid Tip, 0.08"	L0157	20.	Lid	L0187
5.	Fluid Tip Seal	L0159	21.	Shim	L0186
6.	Pivot Screw	L0179	22.	Clamp Lever	L0185
7.	Washer	L0195	23.	Yoke	L0184
8.	Main Body	L0180	24.	Centre Bolt & Pick-Up Tube Assy	L0183
9.	Fluid Needle 0.08"	L0166	25.	Operating Lever	L0177
10.	Adaptor	L0174	26.	Spanner	L0191
11.	Spring	L0175	27.	Filter (not visible)	L0058
12.	Fluid Adjusting Screw	L0176	28.	Air Hose 4m	L1107
13.	Pivot	L0178	29.	Air Hose clip	L1289
14.	Air Feed Tube	L0182	30.	Handle Set-Up and Removal Point	L1535
15.	Gland Nut	L0173	31.	Paint Stirrer	L1565
16.	Gland Washer (3 pcs)	L0168			

OPTIONAL EXTRAS

Needles and fluid tips of different sizes can be obtained as sets under the following accessory numbers. Please call our toll free helpline to order these on +33 (0)4 76 67 18 46.

1.0mm dia Fluid Tip, Needle & Seal	HVACC10AFDO	2.0mm dia Fluid Tip, Needle & Seal	HVACC20AFDO
1.5mm dia Fluid Tip, Needle & Seal	HVACC15AFDO	2.5mm dia Fluid Tip, Needle & Seal	HVACC25AFDO

PAINT VOLUME

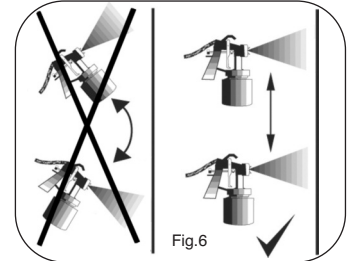
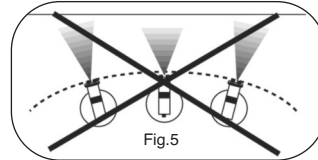
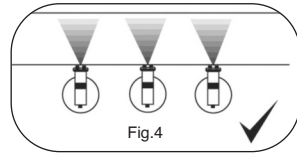
The volume of paint sprayed is easily adjustable (Fig.3). Completely close Fluid Adjusting Screw (12) by turning this clockwise as far as it will go. Whilst pulling the trigger, begin turning the fluid adjusting screw anticlockwise until the volume of paint you require is obtained.

If the paint spray contains too much paint turn the fluid adjusting screw clockwise to reduce it. Once you have set the spray pattern and the paint volume, you are ready to begin spraying.



SPRAYING TECHNIQUE

1. To obtain the best results always keep your spray gun level and spray equally from side to side or up or down from the surface (Fig.4). Avoid spraying at an angle as this will lead to runs on the surface (Fig.5).
2. Let your arm control the left to right movement rather than your wrist as this will aid even paint distribution over the whole area (Fig.4).
3. Do not tip the spray gun to more than 45° angle (Fig.6).



FLUID TIPS AND NEEDLES

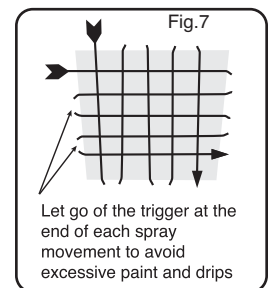
Paints, varnishes, wood treatments, etc, are manufactured using a variety of materials and have widely differing viscosities. You may find that the 0.08" (2.0mm) dia fluid tip and needle supplied with this spray gun does not enable you to spray your particular choice of finish exactly as you would like. In such cases a change of fluid tip and needle size will probably solve this problem.

In general, thicker, more viscose materials are best sprayed through a larger fluid tip to give best coverage. Thinner, less viscose materials are best sprayed through a smaller fluid tip.

To allow for these variations fluid tip and needle sets are available as optional extras in 0.04" (1.0mm) dia, 0.06" (1.5mm) dia and 0.10" (2.5mm) dia (see page 4).

HELPFUL HINTS

1. Evenly control the speed of movement of the spray gun. A fast speed will give a thin coat and a slow speed will give a heavy coat.
2. Only apply one coat at a time. If a further coat is required follow the paint manufacturer's instructions for drying times.
3. If spraying small areas or objects keep the Fluid Adjusting Screw (12) setting low as this will avoid excessive use of paints and will minimise overspray.
4. When spraying large areas or objects, it is best to use a 'criss-cross' pattern, either from left to right then up or down or vice-versa. This will ensure maximum coverage (Fig. 7).
5. Avoid stopping and starting when spraying as this can lead to too much or not enough material on a surface.
6. To ensure edges are covered, commence spraying just to the side of area being sprayed.
7. **CLEAN SPRAY GUN AFTER EVERY USE (SEE CLEANING INSTRUCTIONS).**



CLEANING INSTRUCTIONS

THE SPRAY GUN SHOULD BE THOROUGHLY CLEANED AND THE GLAND WASHERS LUBRICATED IMMEDIATELY AFTER EACH USE. IF THE PAINT DRIES INSIDE THE GUN CLEANING WILL BE MUCH MORE DIFFICULT AND MAY RENDER THE GUN INOPERABLE. THIS IS NOT COVERED BY THE GUARANTEE.

Flush out the residue paint from the spray gun as follows:

- Remove the Paint Container (17) from the spray gun.
- Pour any residual paint into its original container for future use.
- Use a cloth soaked in thinners to wipe out excess paint from the container, the underside of the Lid (20) and the Gasket (19).
- Pour a small quantity of clean thinners into the container, re-fit the container to the spray gun and shake the gun lightly.
- Now spray all of the thinners through the gun.
- Repeat this each time using clean thinners until there is no trace of paint in the thinners being sprayed.

To thoroughly clean the remainder of the spray gun, remove all working parts as per the exploded parts view on page 4 as follows:-

- Loosen and remove Air Cap Ring (1), Air Cap (2) and Air Distributor Plate (3).
- Now unscrew the Fluid Adjusting Screw (12) and pull out the Fluid Needle (9) and Spring (11).
- Using the Spanner (26) supplied remove the Fluid Tip (4) and Fluid Tip Seal (5).

After cleaning your spray gun and before fitting the needle, dip the tip into some petroleum jelly which will lubricate the Gland Washers (16) as the needle is inserted. The external surfaces of the spray gun can be wiped clean with a cloth soaked in thinners.

NEVER DISPOSE OF PAINTS OR SOLVENT INTO DRAINS. CONTACT YOUR LOCAL COUNCIL TO ARRANGE COLLECTION OR FOR DETAILS OF NEAREST REGISTERED DISPOSAL SITE.

PERIODIC MAINTENANCE

Gland Washers (16) prevent leakage of air pass the needle. This leakage reduces the performance of the spray gun and must, therefore, be kept to a minimum. After a period of use the gland washers will wear. This is normal and can be compensated by gradual adjustment of the Gland Nut (15). Periodically check to ensure the gland nut is not loose. **DO NOT OVER-TIGHTEN** as this will increase wear of the washers. When necessary just tighten the gland nut lightly using the special Spanner (26) provided.

By tightening this gland nut, the inside diameter of gland washers reduce thereby closing any small gap that may have occurred between the needle and gland washers, therefore eliminating leakage.

TURBINE UNIT



The turbine unit only requires minimal maintenance.

- Ensure its Filter (27) element is kept clean at all times.
This is the filter underneath the main body of the turbine. Disconnect the unit from the power supply, turn on side and remove filter. This can be washed out if necessary and replaced when dry. From time to time this filter will need replacing (Part No. L0058).
- The turbine bearings are sealed and lubricated for life. There is no maintenance or adjustment required.
- Clean the turbine and hose unit with a damp cloth after use.
- The hose is stowed by coiling it between the motor housing and hose cover.
- The power cord is stowed by wrapping around the base of the unit and locating the plug in the space at the back of the unit.

TROUBLESHOOTING

PROBLEM	CAUSE	ACTION REQUIRED
The paint runs on the item being sprayed	Paint too diluted	Add undiluted material
	Paint volume too high	Reduce the paint flow by turning Fluid Adjusting Screw (12) clockwise
	Moving too slowly	Increase speed of application
	Spray gun trigger held too long	Release trigger earlier
	Spray gun too close	Increase the distance between gun and work-piece
Paint is thin or irregular	Paint too diluted	Add undiluted material
	Paint volume too low	Increase the paint flow by turning Fluid Adjusting Screw (12) anticlockwise
	Moving too fast	Reduce speed of application
	Spray gun clogged	Clean the spray gun
	Spray gun too far away	Reduce the distance between gun and work-piece
No paint being produced	Paint too thick	Add thinners
	Spray gun clogged	Clean the spray gun
	Pick-up tube clogged	Clean Pick-Up Tube (24)
	Air Hose split	Replace Air Hose (28)
	Grainy paint	Filter the paint
	Container almost empty	Refill Paint Container (17)
	Spray gun at an angle	Ensure Pick-Up Tube (24) is angled towards paint
	Air intake blocked	Check no paper or loose debris can block the air intake underneath the unit. Clean or replace Filter (27) if necessary.

MAINS CONNECTION

This unit is a Class II appliance which means it is double-insulated for your protection, no earthing wire is necessary. If the supply cord is damaged, it must be replaced by Earlex Ltd or our appointed agents to avoid a hazard.

If you are using an extension cord it must be rated at a minimum of 6 Amps and fully unwound. Do not operate with a lead rated at less than 6 Amps as this will cause premature failure of the motor which is not covered by the guarantee.

If the plug is cut off from the mains cord, the plug must be disposed of safely. NEVER under any circumstances insert a plug which is cut off from the mains cord into a socket-outlet.

Design Registrations:

GB 2106529
DE 402 04 314.6
FR 02 3314
US D488,169S

Spray Gun Design Registration:

GB 3006933

Copyright & Design Right Reserved © 2012

EC Declaration of Conformity
We declare that the unit HV5500 conforms to LVD 2006/95/EC, EN60335-1, EMF EN62233;
EMC 2004/108/EC, EN55014-1, EN55014-2, EN61000-3-2, EN61000-3-3.

Tim Hopper Technical Director

GUARANTEE

This product is guaranteed for a period of 24 months against faulty manufacture or materials. It is not guaranteed for industrial or hire purposes. This guarantee does not affect your statutory rights. For further information or any user advice, please phone our helpline between 08.30 to 17.00 and Fridays 08.30 to 15.45 (excluding Bank Holidays), or visit our website www.earlex.com.

PLEASE NOTE: We have done all we can to ensure that used correctly and according to these instructions, this SprayStation will give long and trouble-free life. We accept no responsibility for damage caused by the use of incorrect or unsuitable substances, paints or fluids which have not been thinned correctly or are unsuitable for the surfaces to which they are applied, health hazards arising from lack of ventilation when working in confined spaces or failure of the equipment due to inadequate cleaning of the components after use. If in doubt, always test a small inconspicuous area first. Always read the paint manufacturer's instructions first. Neither our guarantee nor the above statement affects your statutory rights.

Earlex Ltd.

Tel: +44 (0)1483 454666

Email: enquiries@earlex.co.uk Website: www.earlex.com

Earlex Sarl.

Tel: +33 (0)4 76 67 18 46

Email: contact@earlex.fr Website: www.earlex.com

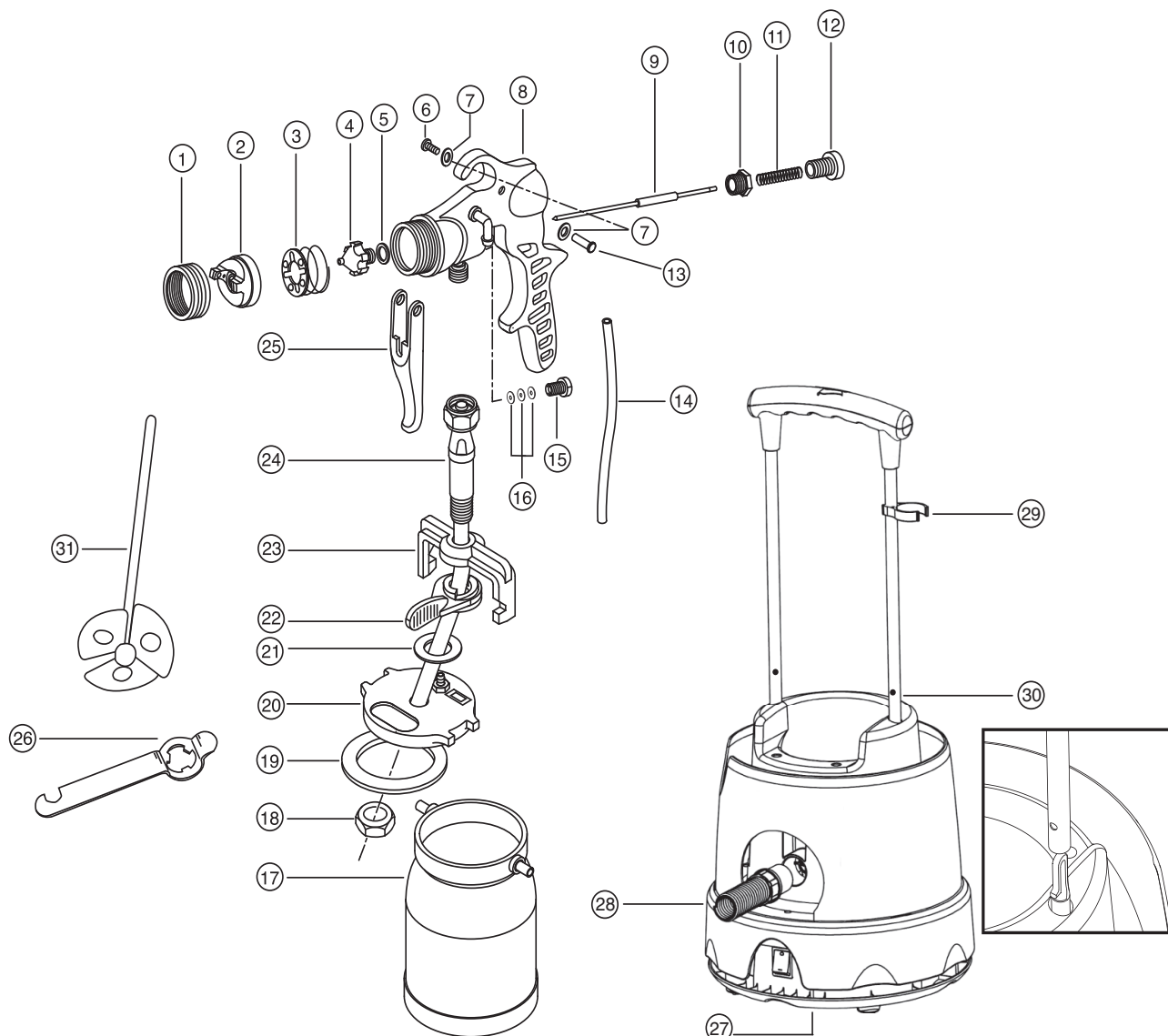
INSTRUCTIONS DE SECURITE

VEUILLEZ LIRE ATTENTIVEMENT AVANT TOUTE UTILISATION

- Ne dirigez jamais la buse vers une personne ou un animal : en cas d'accident, consultez un médecin immédiatement.
- Le pistolet pulvérisateur doit être utilisé uniquement avec des peintures et des solvants dont le point d'éclair permet la pulvérisation. En cas de doute, veuillez consulter les informations du fabricant de peinture ou solvant.
- Veillez à ce que la ventilation soit suffisante avant de commencer à pulvériser.
- Ne pulvérisez JAMAIS près d'une flamme ni même d'une veilleuse.
- N'utilisez jamais la machine à l'extérieur en cas de pluie.
- Ne fumez jamais pendant l'utilisation de la machine.
- Ne permettez pas aux enfants d'utiliser ou jouer avec le pistolet pulvérisateur.
- Lisez très attentivement les recommandations de dilution du fabricant de peinture avant emploi.
- Débranchez toujours la machine de l'alimentation secteur quand vous remplissez le réservoir à peinture.
- Si le cordon d'alimentation est endommagé, il doit être remplacé par Earlex ou ses agents désignés pour éviter tout danger.
- Débranchez toujours la machine avant de procéder au nettoyage.
- Portez toujours un masque de protection adapté lors de la pulvérisation. Nous recommandons également le port de gants, lunettes étanches et combinaison.
- Après chaque utilisation, nettoyez soigneusement le pistolet et lubrifier le pointeau.
- N'utilisez que les pièces détachées Earlex destinées à cette machine.
- EARLEX recommande l'usage de protections auditives lors de l'usage de l'appareil.
- Niveau de pression sonore: 85 dB (A).
- Cet appareil peut être utilisé par des enfants âgés d'au moins 8 ans et des personnes présentant des capacités physiques, sensorielles ou mentales réduites ou manquant d'expérience et de connaissances à condition qu'ils ne restent pas sans surveillance et qu'ils aient bénéficié de conseils d'utilisation tout en ayant conscience des dangers encourus. Les enfants ne doivent en aucun cas jouer avec cet appareil. Le nettoyage et l'entretien ne doivent pas être entrepris par des enfants sans surveillance.

ATTENTION: les substances utilisées avec le pistolet pulvérisateur (peinture, diluant ...) peuvent contenir certaines matières dangereuses, nocives, explosives ou corrosives. Conformez vous aux instructions de sécurité données dans ce manuel et à celles données par les fabricants de produits utilisés. N'utilisez jamais la machine dans d'autre situations que celles décrites dans ce manuel.

VUE ECLATEE DES PIECES DETACHEES



Les pièces détachées suivantes sont disponibles auprès de EARLEX. Merci d'appeler notre Hot line au + 33 (0)4 76 67 18 46

LISTE DES PIECES DETACHEES

N°	Description	N° Pièce	N°	Description	N° Pièce
1.	Anneau de serrage	L0151	18.	Ecrou central	L0189
2.	Chapeau diffuseur d'air	L0152	19.	Joint	L0188
3.	Croisillon de diffusion d'air	L0162	20.	Couvercle du pot	L0187
4.	Buse 2.00 mm	L0157	21.	Anneau de pivotement	L0186
5.	Rondelle de buse	L0159	22.	Molette de serrage	L0185
6.	Vis du pivot	L0179	23.	Etrier de serrage	L0184
7.	Joint (2)	L0195	24.	Pêne central et tube plongeur	L0183
8.	Corps du pistolet aluminium	L0180	25.	Gâchette	L0177
9.	Pointeau 2.00 mm	L0166	26.	Clé à buse	L0191
10.	Adaptateur	L0174	27.	Filtre	L0058
11.	Ressort	L0175	28.	Tuyau 4 mètres	L1107
12.	Vis de réglage du débit de fluide	L0176	29.	Système d'attache du tuyau	L1289
13.	Pivot	L0178	30.	Système de fixation de la poignée	L1535
14.	Tube alimentation air	L0182	31.	Agitateur de peinture	L1565
15.	Bague de serrage	L0173			
16.	Joint de bague de serrage (2)	L0168			
17.	Réservoir intérieur téflon	L0190			

EN OPTION

Ensemble buse et pointeau de :

Buse, pointeau et joint 1.0mm REF. HVACC10AFDO
Buse, pointeau et joint 1.5mm REF. HVACC15AFDO

Buse, pointeau et joint 2.0mm REF. HVACC20AFDO
Buse, pointeau et joint 2.5mm REF. HVACC25AFDO

AVANTAGES

- Réduction très importante de l'effet de brouillard ce qui autorise une protection (adhésif de masquage, bâche plastique) beaucoup plus légère et qui permet une économie de peinture d'environ 30% par rapport à l'utilisation d'un pistolet classique et entre 20% et 30% par rapport à l'utilisation d'un rouleau (grâce à une application uniforme). Le gain qui en résulte amortira rapidement le coût d'une station HVLP.
- La qualité du résultat obtenu avec en prime la facilité d'utilisation. (La quantité importante d'air entourant le jet pulvérisé permet aussi d'accélérer le temps de séchage ce qui contribue à un meilleur rendu de surface.)
- Polyvalence d'emploi : la technologie HVLP permet l'application d'une très large variété de produits.

VEUILLEZ NOTER

Ce produit est conçu pour une utilisation sûre et prolongée lorsqu'il est utilisé correctement en suivant les instructions ci-jointes. Nous déclinons toute responsabilité concernant des dommages éventuels causés par l'utilisation de substances (peintures ou liquides) non appropriées, ainsi que d'éventuels dommages causés par une mauvaise ventilation. Dans le cas de la pulvérisation d'un produit à base de solvant, il revient à l'utilisateur de porter un masque de protection et de veiller à une bonne ventilation des locaux.

CHOIX DE LA PEINTURE

Cet appareil très polyvalent peut être utilisé une large gamme de produits. Cependant, certaines matières ne peuvent pas être pulvérisées. Nous vous invitons donc à vérifier les recommandations du fabricant de peinture. **En effet certaines peintures ou lasures GELIFIÉES ne peuvent pas (ou du moins plus difficilement) être appliquées correctement avec ce pistolet. Le terme "gel" ou la mention "ne coule pas" du gel vise principalement à réduire les gouttelettes pour l'utilisateur du pinceau ou du rouleau, cela perd évidemment de son intérêt dès lors que l'on décide de travailler au pistolet.**

Les peintures STRUCTURÉES (comportant des particules susceptibles d'obstruer la buse donc la sortie du produit) sont elles à proscrire totalement.

L'UTILISATION DE TELS PRODUITS ENTRAINE UNE USURE PREMATUREE DU PISTOLET ET ANNULE LA GARANTIE.

Souvent il vous faudra diluer votre peinture pour obtenir une viscosité permettant une application au pistolet. Donc assurez-vous toujours que la peinture achetée peut se diluer. Une peinture de bonne qualité contient, entre autre, un pourcentage d'éléments secs importants, ce qui autorise la dilution. Ce qui n'est pas le cas de certains produits d'entrée de gamme qui ont un potentiel de dilution très faible.

PREPARATION

- Bien protéger avec une bâche en plastique et de l'adhésif de masquage qui doit être retiré avant que la peinture ne soit sèche.
- ATTENTION : LA TURBINE DOIT ETRE POSEE SUR UNE SURFACE RIGIDE AFIN DE NE PAS OBSTRUER LA PRISE D AIR QUI SE TROUVE DESSOUS.
- Porter un masque en cas de pulvérisation d'un produit à base de solvants (et veillez à une ventilation suffisante de la pièce si vous travaillez à l'intérieur).
- Nettoyer la surface à peindre qui doit être propre et sèche
- Vérifier le bon fonctionnement du pistolet et veiller à ce que la buse ne soit pas bouchée. (par un reste de peinture séchée par exemple).
- Entraînez-vous au préalable sur de vieilles planches de bois pour vous assurer d'une bonne prise en main de l'appareil.

LA BUSE ET SON POINTEAU

Cet appareil est monté avec une buse de 2 mm qui correspond à la très grande majorité des applications au pistolet HVLP. Ce diamètre convient parfaitement pour l'application des peintures de bâtiment et de décoration intérieure ou extérieure les plus courantes tel que les peintures à l'eau de catégorie acrylique, ainsi que pour la quasi totalité des peintures à base de solvant tel que les laques glycérophthaliques. Cette buse de 2 mm convient aussi parfaitement pour les peintures ou vernis polyuréthanes mono ou bi composants. On obtiendra selon la nature du produit employé une finition parfaite qu'elle soit brillante, satinée ou mate. Bien d'autres produits pourront être appliqués avec cet ensemble. Notons par exemple les produits de traitement du bois comme les vernis divers, les lasures et dérivés, les vitrificateurs pour parquet à l'eau ou à solvants.

Certaines applications pourront néanmoins nécessiter l'emploi d'un diamètre de buse inférieur ou supérieur. Au cas où le diamètre de 2 mm ne convenait pas (sans que cela soit lié à un problème de dilution) Il existe donc deux autres diamètres de 1mm., 1.5mm et de 2.5mm disponibles en option chez votre revendeur ou directement auprès de notre service clients.

L'ensemble buse/poinneau de diamètre 1mm ou 1.5mm sera choisi dans le cas d'application de peintures ou produits plus fluides comme les peintures de carrosserie ou certaines peintures industrielles à forte dilution, les vernis fluides ou fortement dilués.

L'ensemble buse/poinneau de diamètre 2.5 mm sera choisi dans le cas de certaines peintures plus difficiles à diluer. (Bien que la plupart peuvent être suffisamment diluées pour passer sur une buse de 2 mm, voir à ce sujet le paragraphe sur le choix de la peinture).

FONCTIONNEMENT

Remplissez votre réservoir avec le produit que vous souhaitez appliquer en prenant soin de ne pas trop remplir. Remuer à l'aide d'agitateur de peinture (31) fourni.

Prenez le pistolet, tournez la molette de serrage dans le sens inverse des aiguilles d'une montre, positionnez le pistolet sur le réservoir. Faites tourner ce dernier jusqu'à ce que les 2 ergots du pot se positionnent dans les orifices de l'étrier de serrage prévus à cet effet. Tournez alors la molette de serrage dans le sens des aiguilles d'une montre cette fois de façon à maintenir bien assemblés, le réservoir et le couvercle. Inutile de trop serrer.

REMARQUE IMPORTANTE :

ATTENTION : LA PRISE D AIR DE LA TURBINE SE TROUVE SOUS L APPAREIL . AFIN D EVITER TOUTE REDUCTION DE PERFORMANCE OU TOUT ECHEC ASSUREZ VOUS QUE LA TURBINE EST POSEE SUR UNE SURFACE PROPRE ET RIGIDE. DE LA POUSSIERE MAIS AUSSI UNE BACHE DE PROTECTION EN PLASTIQUE OU DU PAPIER JOURNAL POURRAIENT VENIR OBSTRUER LA PRISE D AIR.

Déroulez le tuyau de son rangement et raccordez le au dos du pistolet. Déroulez le cordon d'alimentation et branchez le.

MAINTENEZ TOUJOURS LE BLOC MOTEUR AUSSI LOIN QUE POSSIBLE DE LA ZONE TRAITEE DE FACON A LUI EVITER D EVENTUELLES PROJECTIONS DE PEINTURE

Quand vous êtes prêt, mettez l'appareil sous tension **ce qui déclenche la production d'air immédiatement**; C'EST NORMAL! Cependant, aucune pulvérisation n'aura lieu tant que vous n'aurez pas appuyé sur la gâchette du pistolet. En appuyant sur la gâchette le poinneau libère l'entrée de la buse et laisse passer une quantité de peinture plus ou moins importante selon le réglage du débit de peinture que vous aurez choisi.

TECHNIQUE DE PULVERISATION

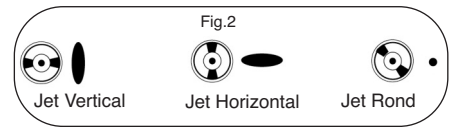
MODELES DE JET

En dévissant légèrement l'anneau de réglage (à l'avant) vous déterminez la forme du jet en tournant le chapeau d'air verticalement, horizontalement ou de biais et ainsi obtenir 3 formes de jet différents:

3 formes de jet possible : horizontal, vertical et rond (Fig.2).

Le jet horizontal et le jet vertical sont recommandés pour de grandes surfaces à traiter. Le jet rond étant plus conseillé pour les petits travaux ou zones difficiles d'accès comme les coins, de petits objets ou pour des finitions.

Le réglage du jet se fait en tournant le chapeau d'air à la main jusqu'à la position souhaitée.



LA TECHNIQUE 'DES PASSES CROISEES

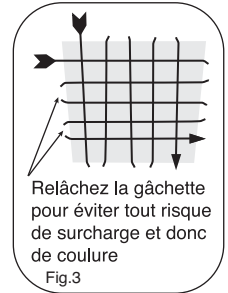
La technique la plus communément utilisée pour peindre un mur est celle dite 'des passes croisées' c'est dire que l'on croise des passes horizontales avec des passes verticales;

- 1) Régler le chapeau d'air de façon à avoir un jet vertical, puis appuyez sur la gâchette en déplaçant votre bras sur la droite.
- 2) Arrivé en bout de course, relâchez brièvement avant de repartir dans l'autre sens juste en dessous
- 3) Faites ainsi une successions de passages les uns en dessous des autres
- 4) Puis réglez cette fois-ci le chapeau d'air de façon à avoir un jet horizontal et appliquez une succession de passages verticaux par-dessus ce que vous venez de faire.

En fait, vous croisez des passes horizontales (le jet étant réglé en position verticale) avec des passes verticales (le jet étant cette fois-ci en position horizontale)

En fonction de l'amplitude de votre bras, appliquez votre produit en croisant ainsi par surfaces d'un mètre carré environ.

Essayez de bouger votre bras et d'appuyer sur la gâchette du pistolet de façon à obtenir la pulvérisation la plus régulière possible, sans chercher à couvrir en une seule passe.



TRUCS ET ASTUCES

1) Utilisation de la vis de réglage du débit (12). Fig.4

Cette vis permet de bloquer le recul de la gâchette. Lorsque vous débutez serrez la à fond, puis dévissez progressivement en appuyant sur la gâchette. Plus vous desserrez la vis plus vous lâchez de produit. Ce réglage vous permet de contrôler le débit de votre peinture.

Si vous désirez peindre une petite surface, vissez cette vis de réglage presque au maximum et approchez vous de votre support. Plus vous réduirez le débit de votre peinture plus vous vous rapprocherez de votre support.

- a) La pression exercée sur la gâchette (au plus vous appuyez, au plus vous libérez de produit)
 - b) La vitesse à laquelle vous déplacer le pistolet en face de votre support
- De la gâchette et ainsi projeter une quantité de produit uniforme.



Vous appliquerez ainsi vos différentes passes en évitant les surcharges et économiserez environ 20 à 30% de produit par rapport à un rouleau ou une brosse.

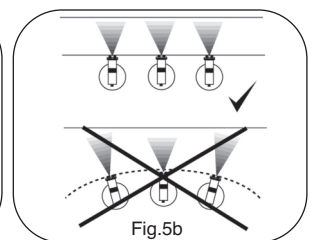
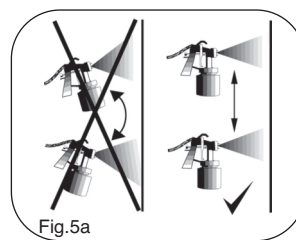
2) C'est l'avant bras qui doit bouger, pas le poignet (Fig.5a/b)

3) Afin d'éviter toute surcharge occasionnant des coulures, il est préférable d'appliquer le produit en "voiles". Le pistolet doit toujours être en mouvement lorsque vous appuyez sur la gâchette afin d'éviter les coulures.

4) Sols et plafonds

Vous pouvez utiliser le pistolet pour peindre des plafonds et des sols sans aucun problème, celui-ci est doté d'un tube plongeur coudé permettant la pulvérisation à 90°.

Veillez tout particulièrement à allumer votre turbine avant d'incliner votre pistolet afin d'éviter d'obstruer le canal d'air de votre pistolet.



INSTRUCTIONS DE NETTOYAGE

AU MEME TITRE QU UN PINCEAU, UN PISTOLET NECESSITE UN NETTOYAGE COMPLET DES QUE LE TRAVAIL EST TERMINE. SI LA PEINTURE SECHE DANS LE PISTOLET A LA SUITE D UN NETTOYAGE SUPERFICIEL OU OMIS, LE PISTOLET SERA VITE INUTILISABLE ET NE SERA PAS COUVERT PAR LA GARANTIE.

Principe de base :

- Après avoir appliqué un produit à base d'eau, le nettoyage se fait à l'eau
- Après avoir appliqué un produit à base de solvants, le nettoyage se fait à l'acétone ou avec un substitut approprié ;
- Attention : si l'acétone est un dissolvant très efficace et assez économique, il n'est en aucun cas un DILUANT (white-spirit, diluant synthétique). L'acétone ne doit pas être utilisé pour la dilution mais seulement pour le nettoyage.

Procédez comme suit :

- Retirez le réservoir du corps du pistolet
- Videz le reste de peinture dans son pot d'origine pour éventuellement le réutiliser
- A l'aide d'un chiffon imbibé de nettoyant, nettoyez l'excès de peinture du réservoir, du dessous du couvercle (20) et du joint.
- Versez un peu de votre nettoyant dans le réservoir (eau ou acétone) et remontez le réservoir sur le pistolet et secouer légèrement l'ensemble
- Vaporisez tout le contenu du réservoir via le pistolet ans un contenant approprié.
- Le nettoyant (solvant ou eau) purgera le système. Le nettoyage est complet lorsque le produit pulvérisé sort "propre".

Afin de nettoyer toutes les pièces de votre pistolet, démontez les en vous aidant du schéma (Vea la página 8) et suivez les instructions suivantes : Dévisser et retirer l'anneau de serrage (1), le chapeau diffuseur d'air (2) et le croisillon de diffusion d'air (3). Dévisser ensuite la vis de réglage du débit de fluide (12) et retirer le pointeau (9) et son ressort (11). A l'aide de la clé fournie (26), retirez la buse (4) et la rondelle de buse (5).

Nettoyez l'intérieur du pistolet
Séchez soigneusement les pièces

Essuyez et mettre une petite goutte d'huile sur l'extrémité du pointeau avant de remonter le tout dans l'ordre inverse.
Ps : Il est recommandé de mettre la buse en place avant le pointeau.

La turbine ne requiert que très peu de maintenance

Assurez vous que le filtre est en permanence propre : ce filtre se trouve sous le bloc moteur (27). Débranchez la machine, retournez la et retirez le filtre en mousse. Vous pouvez le nettoyer si nécessaire et le réutiliser après séchage. Après usure normale, ce filtre pourra avoir besoin d'être remplacé (pièce numéro L0058)

Les roulements de la turbine sont scellés et lubrifiés à vie. Aucune maintenance ni réglage n'est requis.

Nettoyer la turbine et le tuyau après utilisation à l'aide d'un chiffon humide

Le tuyau s'enroule tout contre la turbine à l'emplacement prévu à cet effet.

Le câble électrique s'enroule lui autour de la base de la turbine, la prise trouvant sa place dans la cavité prévue à l'arrière.

NE JETEZ JAMAIS LA PEINTURE OU LE DILUANT DANS LES EGOUTS ET PREFEREZ SYSTEMATIQUEMENT VOTRE DECHETERIE LOCALE

MAINTENANCE PREVENTIVE

Les joints de la bague de serrage (16) sont là pour éviter toute fuite d'air via le pointeau. Une perte d'air en effet aurait pour cause de baisser les performances de votre pistolet. A force d'utilisation, ces joints vont subir une usure normale. Il vous suffira alors d'ajuster la bague de serrage (15). Vérifiez régulièrement que ces joints sont bien en place. Ne les comprimez pas de trop ce qui aurait pour effet de les user prématurément. Si nécessaire, resserrez un peu la bague de serrage en utilisant la clé fournie. Cela aura pour conséquence de réduire le diamètre interne des joints, et de résorber toute éventuelle fuite d'air remarquée.

PROBLEMES RENCONTRES



PROBLEME	CAUSE	ACTION REQUISE
LA PEINTURE GOUTTE SUR L'OBJET PEINT	PEINTURE TROP DILUEE	RAJOUTEZ DE LA PEINTURE NON DILUEE
	VOLUME DE PEINTURE TROP ELEVE	REDUISEZ LE DEBIT DE PEINTURE EN AJUSTANT LA VIS (12)
	MOUVEMENT TROP LENT	AUGMENTEZ LA VITESSE D'APPLICATION
	VOUS APPUYEZ TROP LONG TEMPS SUR LA GACHETTE	RELACHEZ LA GACHETTE PLUS TOT
	PISTOLET TROP PRES	AUGMENTEZ LA DISTANCE ENTRE LE PISTOLET ET L'OBJET
LA PEINTURE EST TROP CLAIRSEMEE OU IRREGULIERE	PEINTURE TROP DILUEE	RAJOUTEZ DE LA PEINTURE NON DILUEE
	VOLUME DE PEINTURE TROP FAIBLE	AUGMENTEZ LE DEBIT DE PEINTURE EN AJUSTANT LA VIS (12)
	MOUVEMENT TROP RAPIDE	REDUISEZ LA VITESSE D'APPLICATION
	PISTOLET OBSTRUE	NETTOYEZ LE PISTOLET
PAS DE PULVERISATION DE PEINTURE	PISTOLET TROP ELOIGNE	REDUISEZ LA DISTANCE ENTRE LE PISTOLET ET L'OBJET
	PEINTURE TROP EPAISSE	AJOUTEZ DU DILUANT
	PISTOLET OBSTRUE	NETTOYEZ LE PISTOLET
	TUBE PLONGEUR OBSTRUE	NETTOYEZ LE TUBE (24)
	TUYAU D'AIR FISSURE	REPLACEZ LE TUYAU
	PEINTURE GRANULEUSE	FILTREZ LA PEINTURE
	RESERVOIR PRESQUE VIDE	REMPLISSEZ LE RESERVOIR
	PISTOLET PENCHE	ORIENTEZ LE TUBE PLONGEUR DANS LE BON SENS
PRISE D'AIR BLOQUEE	VERIFIER SOUS LA MACHINE QU'IL N'Y A AUCUN PAPIER OU DEBRIS NE BLOQUE L'ENTREE D'AIR. NETTOYEZ OU REMPLACEZ LE FILTRE (27) SI NECESSAIRE.	

RACCORDEMENT AU SECTEUR

Cette station est un appareil électrique de classe 2 ce qui veut dire protégé par une double isolation qui vous dispense de tout raccordement à la terre. Si le cordon d'alimentation de votre station venait à être endommagé, il doit être remplacé par EARLEX Ltd ou par un agent accrédité par EARLEX pour éviter tout danger.

Si vous devez utiliser une rallonge électrique, celle-ci doit supporter au minimum 6 Ampères et doit être complètement déroulée. N'utilisez pas une rallonge ne supportant pas 6 Ampères car cela occasionnerait une usure prématurée du moteur ce qui n'est pas couvert par la garantie.

Si la prise est coupée du cordon d'alimentation, elle doit être mise au rebut en toute sécurité. N'insérez JAMAIS, et ce en aucun cas, une prise coupée du cordon d'alimentation dans une prise secteur.

INFORMATION LEGALE POUR LES UTILISATEURS :

Ce produit rentre dans la catégorie des appareils électriques. Nous vous rappelons qu'il est dorénavant interdit de se débarrasser d'un outil électrique dans vos poubelles, et encore moins dans la nature, car leurs équipements électriques sont toujours susceptibles de présenter des substances dangereuses, soit pour l'environnement, soit pour l'homme, soit pour les deux. Il existe maintenant des déchetteries partout avec des conteneurs appropriés, et c'est bien là, et pas ailleurs, qu'il faudra vous débarrasser de votre appareil, le jour ou voudrez le faire.



GARANTIE

Ce produit est garanti pour une période de 24 mois contre tout défaut de fabrication ou des matériaux.. Il n'est pas garanti pour un usage industriel ou pour la location. Cette garantie n'affecte pas vos droits statutaires. la responsabilité d'EARLEX ne pourra être engagée pour une utilisation de ce produit autre que celles décrites dans ce manuel.

Attestation de Conformité EC
Nous déclarons que les produits HV5500 sont conformes aux: LVD 2006/95/EC, EN60335-1, EMF EN62233;
EMC 2004/108/EC, EN55014-1, EN55014-2, EN61000-3-2, EN61000-3-3.

Tim Hopper-Technical Director

enregistrements de dessins:

GB 2106529
DE 402 04 314.6
FR 02 3314
US D488,169S

Vaporiser Conception enregistrement des armes:

GB 3006933

Droit d'auteur et Design Droits Réservés © 2012



Earlex Sarl.

Tel: +33 (0)4 76 67 18 46

Email: contact@earlex.fr Website: www.earlex.com



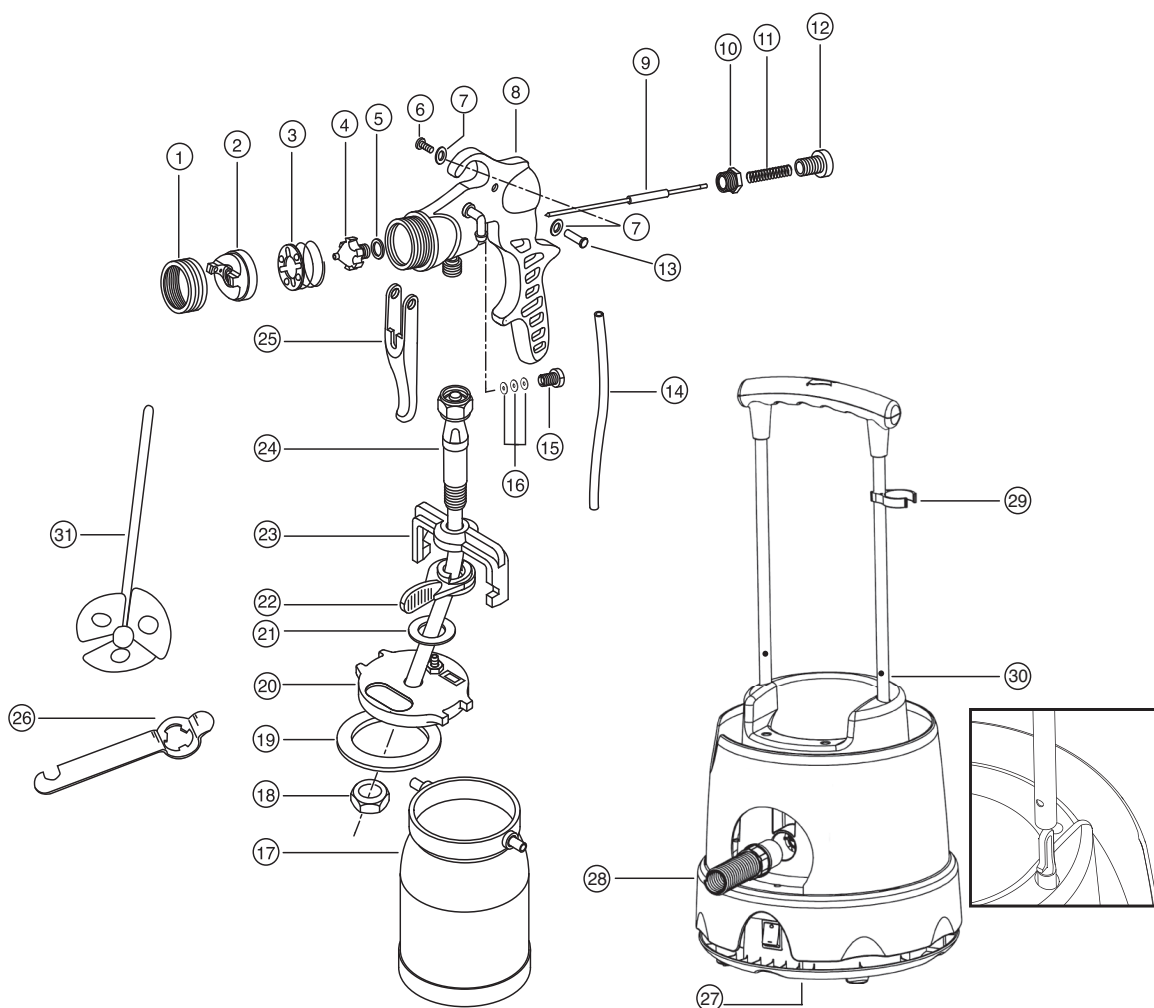
INSTRUCCIONES DE SEGURIDAD

LEA ANTES DEL USO

- Bajo NINGUNA circunstancia apunte con el pulverizador a una persona o animal. En el caso de que se produzca una lesión, busque de inmediato la atención de un profesional médico.
- La pistola pulverizadora debe ser usada solamente con pinturas y disolventes que tengan un punto de inflamación adecuado para la pulverización. Si tiene alguna duda, consulte los datos del fabricante de la pintura o del disolvente.
- Asegúrese siempre de que existe una ventilación adecuada durante la pulverización.
- NO pulverice NUNCA cerca de fuego abierto, incluyendo dispositivos con llama de encendido.
- No use NUNCA esta pistola pulverizadora en el exterior cuando esté lloviendo.
- No fume NUNCA mientras esté pulverizando.
- No permita NUNCA que niños manejen o jueguen con la pistola pulverizadora.
- Lea siempre las instrucciones del fabricante para el rebajado de la pintura antes de usarla.
- Desconecte siempre la unidad de la fuente de alimentación cuando rellene el contenedor de pintura.
- Si el cable de alimentación está dañado, debe ser sustituido por Earlex Ltd o nuestros agentes autorizados para evitar un peligro.
- Antes de limpiarla, desconecte siempre la unidad de la fuente de alimentación.
- Este aparato puede ser usado por niños mayores de 8 años, por personas con capacidades mentales, sensoriales o físicas reducidas, o por personas que no disponen de la experiencia y el conocimiento necesarios si lo hacen bajo supervisión, o si se les ha indicado cómo utilizar el aparato de manera segura y entienden los riesgos asociados a su uso. Esto no es un juguete. No permita que los menores limpien ni se encarguen del mantenimiento del aparato sin supervisión.
- Lleve siempre la careta de protección apropiada cuando efectúe la pulverización. También le recomendamos el uso de guantes, gafas y mono de trabajo.
- Después de cada utilización asegúrese de limpiar la pistola pulverizadora a fondo y de engrasar la empaquetadura de la aguja del fluido.
- Use únicamente piezas de recambio originales de Earlex.

ADVERTENCIA: Las sustancias usadas con esta pistola pulverizadora (pintura, diluyentes, etc.) pueden contener materiales peligrosos, nocivos, explosivos o corrosivos. CUMPLA SIEMPRE CON LAS INSTRUCCIONES DE SEGURIDAD SUMINISTRADAS CON ESTE PRODUCTO Y CON EL MATERIAL QUE ESTÁ SIENDO USADO.

Use esta unidad solamente del modo detallado en estas instrucciones.



LISTA DE PIEZAS DE REPUESTO

Europe: +33 (0)4 76 67 18 46

No. Descripción Clave

- 1. Anillo del soporte de la boquilla
- 2. Soporte de la boquilla de aire
- 3. Placa del distribuidor de aire
- 4. Boquilla de 2.0mm
- 5. Sello de la boquilla
- 6. Tornillo pivote
- 7. Junta
- 8. Ensamblaje del cuerpo principal
- 9. Aguja del fluido de 2.0mm
- 10. Adaptador
- 11. Muelle
- 12. Tornillo de ajuste
- 13. Pivote
- 14. Tubo de alimentación de aire
- 15. Tuerca del prensaestopas
- 16. Arandela del prensaestopas (2 piezas)
- 17. Deposito de pintura

Nº Pieza

- L0151
- L0152
- L0162
- L0157
- L0159
- L0179
- L0195
- L0180
- L0166
- L0174
- L0175
- L0176
- L0178
- L0182
- L0173
- L0168
- L0190

No. Descripción Clave

- 18. Tuerca de perno central
- 19. Junta
- 20. Ensamblaje de la tapa
- 21. Arandela de separación
- 22. Palanca de sujeción
- 23. Boca de enganche
- 24. Conjunto tubo de recolección y perno central
- 25. Palanca de control
- 26. Llave de tornillos
- 27. Filtro
- 28. Manguera 4 metros
- 29. Sistema de fijación de la manguera
- 30. Sistema de fijación del puñado
- 31. Agitador de pintura

Nº Pieza

- L0189
- L0188
- L0187
- L0186
- L0185
- L0184
- L0183
- L0177
- L0191
- L0058
- L1107
- L1289
- L1535
- L1565

EXTRAS OPCIONALES

Puede obtener boquillas y agujas de fluido de diferentes tamaños con los siguientes códigos de accesorio.

Aguja, sello y boquilla de fluido, 1.0mm diám.
Aguja, sello y boquilla de fluido, 1.5mm diám.

HVACC10AFDO
HVACC15AFDO

Aguja, sello y boquilla de fluido, 2.0mm diám.
Aguja, sello y boquilla de fluido, 2.5mm diám.

HVACC20AFDO
HVACC25AFDO

SELECCIÓN DE LA PINTURA

Este es un kit de pulverización altamente versátil que puede ser usado con diferentes medios de pulverización, incluyendo barnices, productos conservantes de la madera, esmaltes, pinturas a base de aceite y de agua, y celulosa. Sin embargo, algunos materiales no pueden ser pulverizados, así que le rogamos compruebe las recomendaciones del fabricante antes de comprar la pintura. Si un material hace referencia a la aplicación únicamente con brocha, entonces generalmente no podrá ser pulverizado.

ESTA UNIDAD NO PUEDE SER USADA CON PINTURAS TEXTURADAS. EL USO DE DICHOS MATERIALES CAUSARÁ UN DESGASTE PREMATURO, LO QUE INVALIDARÍA LA GARANTÍA.

PARA OBTENER LOS MEJORES RESULTADOS DE SU KIT DE PULVERIZACIÓN, LE ROGAMOS LEA CON ATENCIÓN LAS INSTRUCCIONES ANTES DE USARLO.

PREPARACIÓN

La preparación de la superficie y el rebajado de la pintura son dos de los aspectos más importantes a los que se debe prestar atención para obtener los mejores resultados posibles de su kit de pulverización.

Asegúrese de que todas las superficies están libres de polvo, suciedad, óxido y grasa. En caso necesario, elimine dichas sustancias con papel de lija o similar. El cubrimiento de superficies es importante para asegurar que no pulveriza aquellas áreas que desea que permanezcan intactas.

FUNCIONAMIENTO

Llene el contenedor de pintura con el medio de pulverización. Tenga cuidado en no llenarlo en exceso. Mezcle con agitador de pintura (31) suministrados.

Tome la unidad de la pistola pulverizadora y, con la palanca de sujeción (22) girada totalmente en sentido contrario a las agujas del reloj, coloque la unidad de pistola pulverizadora en el contenedor de pintura. Haga girar el contenedor hasta los 2 pins situados en los huecos de la boca de enganche (23). Ahora gire la palanca de sujeción en el sentido de las agujas del reloj para asegurar el contenedor a la tapa. No lo apriete demasiado.

Coloque la unidad del motor en un espacio limpio en el suelo, libre de desechos sueltos, líquidos o capas de polvo que pudieran bloquear el conducto de admisión del motor. Desenrolle la manguera de la caja principal y conéctela a la parte posterior de la pistola. Desenrolle el cable de alimentación de la base de la unidad y enchúfelo.

MANTENGA SIEMPRE LA UNIDAD DEL MOTOR TAN LEJOS COMO SEA POSIBLE DE LA ZONA DE PULVERIZACIÓN PARA EVITAR LA CONTAMINACIÓN DEL MOTOR CON PINTURA.

CUBRA TODO EL ÁREA QUE NO DESEE PULVERIZAR.

Una vez la ha ajustado para proceder a la pulverización, encienda la unidad. La unidad de la pistola no pulverizará nada de pintura hasta que se apriete el gatillo de la pistola pulverizadora. Antes de empezar cualquier operación que implique la pulverización de objetos reales, le recomendamos que invierta una pequeña cantidad de tiempo practicando sobre cartón o papel de periódico hasta que se haya familiarizado con el funcionamiento de la pistola.

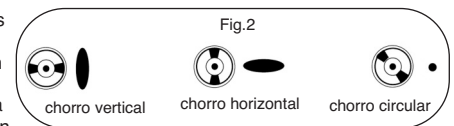
TIPOS DE PULVERIZACIÓN

La pistola tiene 3 tipos distintos de pulverización: horizontal, vertical y circular (Fig.2).

Los tipos horizontal y vertical se recomiendan para grandes superficies. La pulverización circular se usa para objetos pequeños o áreas de difícil acceso, tales como esquinas.

Para cambiar el tipo de pulverización, simplemente gire el soporte de la boquilla de aire (2) hasta que haga clic en las diferentes posiciones, tal y como se muestra en la Fig 2.

El tamaño general del tipo de pulverización seleccionado puede ser modificado girando el anillo del soporte de la boquilla de aire (1). Visto desde delante, gírelo en el sentido de las agujas del reloj para aumentar el tamaño, o en sentido contrario a las agujas del reloj para reducirlo.



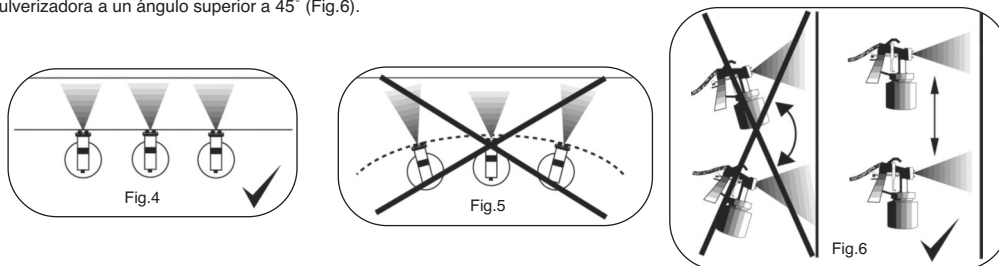
VOLUMEN DE PINTURA

El volumen de pintura pulverizada es fácilmente ajustable (Fig.3). Cierre completamente el tornillo de ajuste (12) girándolo en el sentido de las agujas del reloj hasta que ya no se pueda más. Mientras aprieta el gatillo, empiece a girar el tornillo de ajuste en el sentido contrario a las agujas del reloj hasta que se obtenga el volumen de pintura deseado. Si la pulverización contiene demasiada pintura, gire el tornillo de ajuste en el sentido de las agujas del reloj para reducirlo. Una vez ajustado el tipo de pulverización y el volumen de pintura, ya puede empezar a pulverizar.



TÉCNICA DE PULVERIZACIÓN

1. Para obtener los mejores resultados, mantenga siempre la pistola de pulverización plana y pulverice equitativamente de lado a lado o de arriba a bajo, a 25-30cm de la superficie. Evite pulverizar en ángulo, pues esto causará goteo en la superficie (Fig.4).
2. Deje que su brazo, no su muñeca, controle el movimiento de izquierda a derecha, pues esto ayudará a conseguir una distribución regular de la pintura sobre toda la zona (Fig.5).
3. No incline la pistola pulverizadora a un ángulo superior a 45° (Fig.6).



SELECCIÓN DE LA BOQUILLA Y LA AGUJA DE FLUIDO

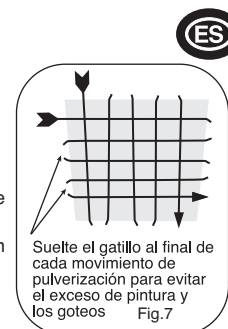
Pinturas, barnices, productos para el tratamiento de la madera, etc. son fabricados usando una gran variedad de materiales y tienen viscosidades que difieren enormemente. Puede que encuentre que la boquilla y la aguja de fluido de 2.0mm de diámetro suministradas con esta pistola pulverizadora no le permiten pulverizar con el acabado particular que usted desearía. En tales casos, el cambio del tamaño de la boquilla y la aguja de fluido seguramente resolverá este problema.

En general, los materiales más espesos, más viscosos se pulverizan con un mejor resultado con una boquilla de fluido más grande para dar una mayor cobertura. Los materiales más claros, menos viscosos, se pulverizan mejor con una boquilla de fluido más pequeña.

Con tal del satisfacer todas las necesidades, están disponibles conjuntos de boquilla y aguja de fluido, como extras opcionales, con 1,0mm de diámetro, 1,5mm de diámetro y 2,5mm de diámetro (Vea la página 14).

CONSEJOS ÚTILES

1. Controle con uniformidad la velocidad de movimiento de la pistola pulverizadora. Con una velocidad rápida se aplicará una fina capa y con una velocidad baja se dará una capa densa.
2. Aplique solamente un capa cada vez. Si es necesaria otra capa, siga las instrucciones del fabricante de la pintura para los tiempos de secado.
3. Si pulveriza áreas u objetos pequeños, mantenga el tornillo de ajuste poco abierto, pues esto evitará el uso excesivo de pintura y minimizará la neblina de pulverización.
4. Cuando pulverice áreas u objetos grandes, es mejor usar un patrón de cruzamiento alternativo, ya sea de izquierda a derecha y luego de arriba a bajo o viceversa. Esto asegurará la máxima cobertura (Fig. 7).
5. Evite detenerse y empezar durante la pulverización, pues esto puede resultar en la aplicación de demasiado, o no suficiente material en una superficie.
6. Para asegurarse de cubrir los bordes, comience a pulverizar justamente en el lado del área que está siendo pulverizada.
7. LIMPIE LA PISTOLA PULVERIZADORA DESPUÉS DE CADA USO (VEA LAS INSTRUCCIONES DE LIMPIEZA).



INSTRUCCIONES DE LIMPIEZA

LA PISTOLA PULVERIZADORA DEBE SER LIMPIADA A FONDO Y LAS ARANDELAS DEL PRENSAESTOPAS LUBRICADAS INMEDIATAMENTE DESPUÉS DE CADA USO. SI LA PINTURA SE SECA EN EL INTERIOR, LA LIMPIEZA DE LA PISTOLA SERÁ MUCHO MÁS DIFÍCIL Y PUEDE DEJAR LA PISTOLA INUTILIZABLE. ESTE EVENTO NO ESTÁ CUBIERTO POR LA GARANTÍA.

Limpie los residuos de pintura de la pistola pulverizadora del modo siguiente:

- Retire el contenedor de pintura (17) de la pistola pulverizadora.
- Vierta todo el residuo de pintura en su contenedor original para utilizarlo en el futuro.
- Use un paño empapado en diluyente para eliminar el exceso de pintura del contenedor, la cara inferior de la tapa (20) y la junta (19).
- Vierta una pequeña cantidad de diluyente limpio en el contenedor, vuelva a ajustar el contenedor a la pistola pulverizadora y agite suavemente la pistola.
- Pulverice todo el diluyente con la pistola.
- Repita esta operación, usando cada vez diluyente limpio, hasta que no quede ningún rastro de pintura en el diluyente que se está pulverizando.

Para limpiar a fondo la resta de la pistola pulverizadora, saque todas las partes operantes, de acuerdo con el esquema de piezas de recambio de la p. 14, del siguiente modo:

- Afloje y saque el anillo del soporte de la boquilla de aire (1), el soporte de la boquilla de aire (2) y el muelle y la placa del distribuidor de aire (3).
- Desatornille el tornillo de ajuste (12) y saque la aguja (9) así como el muelle de la aguja (11).
- Use la llave de tornillos suministrada para sacar la boquilla de fluido (4) y el sello de la boquilla de fluido (5).

Después de limpiar la pistola pulverizadora y antes de colocar la aguja, sumerja la boquilla en vaselina, lo que lubricará las arandelas del prensaestopas al insertar la aguja. Las superficies externas de la pistola pulverizadora pueden ser limpiadas con un paño empapado en diluyente.

NO TIRE NUNCA POR EL DESAGÜE PINTURA O DISOLVENTE . PÓNGASE EN CONTACTO CON EL AYUNTAMIENTO LOCAL PARA ORGANIZAR SU RECOGIDA O PARA SABER LA UBICACIÓN DEL VERTEDERO DE RESIDUOS REGISTRADO MÁS CERCANO.

MANTENIMIENTO PERIÓDICO

Las arandelas del prensaestopas (16) previenen el escape de aire pasada la aguja. Tal escape reduce el rendimiento de la pistola pulverizadora y debe, por lo tanto, mantenerse al mínimo. Después de un periodo de uso, las arandelas del prensaestopas sufrirán desgaste. Esto es normal y puede ser compensado mediante el ajuste gradual de la tuerca del prensaestopas (15).

Compruebe de manera periódica que la tuerca del prensaestopas no está suelta. NO LA APRIETE EN EXCESO, pues esto aumentará el desgaste de las arandelas. Cuando sea necesario, simplemente apriete ligeramente la tuerca con la llave de tornillos especial suministrada.

Al apretar esta tuerca se reduce el diámetro interior de las arandelas del prensaestopas, cerrando de este modo cualquier pequeño hueco que se cree entre la aguja y las arandelas del prensaestopas, y eliminando así un escape excesivo.

UNIDAD DE TURBINA

La unidad de turbina solamente requiere un mantenimiento mínimo.

- Asegúrese de que su elemento de filtrado se mantiene limpio en todo momento. Se trata del filtro situado debajo del cuerpo principal de la unidad del motor (27). Desconecte la unidad de la alimentación, póngala de lado y saque el material poroso. Éste puede ser lavado si fuera necesario y vuelto a colocar una vez seco. De vez en cuando este filtro deberá ser sustituido (Pieza nº L0058).
- Los cojinetes de la turbina están sellados y lubricados de por vida. No es necesario ningún tipo de mantenimiento o ajuste.
- Limpie la turbina y la unidad de la manguera con un paño húmedo después del uso.
- La manguera se guarda enrollándola entre la caja del motor y la cubierta de la manguera.
- El cable de red se guarda envolviéndolo alrededor de la base de la unidad y colocando el enchufe en el espacio que queda detrás de la unidad.

SOLUCIÓN DE PROBLEMAS



PROBLEMA	CAUSA	ACCIÓN NECESARIA
La pintura gotea sobre el artículo pulverizado	La pintura está demasiado diluida	Añada material no diluido
	El volumen de pintura es demasiado alto	Reduzca el flujo de pintura ajustando el tornillo (12)
	Movimiento demasiado lento	Aumente la velocidad de aplicación
	El gatillo de la pistola se mantiene apretado demasiado tiempo	Suelte el gatillo más rápidamente
	La pistola está demasiado cerca	Aumente la distancia entre la pistola y la pieza de trabajo
La pintura es clara o irregular	La pintura está demasiado diluida	Añada material no diluido
	El volumen de pintura es demasiado bajo	Aumente el flujo de pintura ajustando el tornillo (12)
	Movimiento demasiado rápido	Reduzca la velocidad de aplicación
	La pistola está atascada	Limpie la pistola
	La pistola está demasiado lejos	Reduzca la distancia entre la pistola y la pieza de trabajo
No sale la pintura	La pintura es demasiado espesa	Añada diluyente
	La pistola está atascada	Limpie la pistola
	El tubo de recolección está atascada	Limpie el tubo de recolección (24)
	La manguera de aire se ha partido	Sustituya la manguera de aire
	La pintura es granulada	Filtre la pintura
	El contenedor está casi vacío	Rellene el contenedor
	La pistola está en ángulo	Asegúrese de que el tubo de recolección está orientado hacia la pintura
	La entrada de aire está bloqueada	Compruebe que no haya papel o desechos sueltos que puedan bloquear la entrada de aire debajo de la unidad. Limpie o reemplace el filtro (27) si es necesario.

CONEXIÓN A LA RED ELÉCTRICA

Esta unidad es un dispositivo de clase II lo que significa que dispone de un doble aislamiento para su protección, siendo así innecesario la toma a tierra. En caso de que el cable de alimentación eléctrica este dañado, debe ser reemplazado por Earlex o personas autorizadas, para evitar riesgos.

Si necesita usar un cable de extensión o prolongador, estos deben ser aptos para una corriente de mínimo 6 Amperios y estar completamente extendidos. No utilice cables que no aguanten una carga mínima de 6 Amperios, esto causaría un fallo prematuro al motor y no esta cubierto por la garantía.

En caso de que el enchufe este cortado del cable principal, debe ser desecho. NUNCA y bajo ninguna circunstancia conecte un enchufe a la red eléctrica.

Declaración de conformidad EC

Declaramos que la unidad HV5500 se conforma a: LVD 2006/95/EC, EN60335-1, EMF EN62233; EMC 2004/108/EC, EN55014-1, EN55014-2, EN61000-3-2, EN61000-3-3.

Tim Hopper Technical Director

registros de diseño:

GB 2106529
DE 402 04 314.6
FR 02 3314
US D488,169S

Pistola Diseño de Registro:

GB 3006933

Derecho de Autor y Derechos Reservados Diseño © 2012

Resulta importante llamar la atención respecto a nuevas directivas referentes al vertido de este aparato eléctrico, según la cual, de acuerdo con la legislación, este producto no debe mezclarse con la basura doméstica. Es su responsabilidad deshacerse de este tipo de residuos llevándolo a puntos de recogida expresos para su recuperación y reciclaje. Este artículo está marcado con un símbolo en forma de contenedor cruzado por una raya como recordatorio. El objetivo de esta directiva es ayudar a preservar los recursos y asegurarse de que se recicla de modo que se proteja la salud de las personas y el medio ambiente. Para más información sobre dónde puede desaherces de estos residuos, póngase en contacto con las autoridades locales. Los puntos de recogida son gratuitos.



GARANTÍA

Este producto está garantizado durante un periodo de 24 meses contra defectos en sus materiales y mano de obra. No está garantizado para fines industriales o para su alquiler. La garantía no afecta sus derechos estatutarios. Earlex Ltd. no aceptará ninguna responsabilidad por el uso de este producto si se usa para fines diferentes a los detallados en estas instrucciones.

Earlex Sarl.

Tel: +33 (0)4 76 67 18 46

Email: contact@earlex.fr Website: www.earlex.com

LEGGERE PRIMA DELL'USO

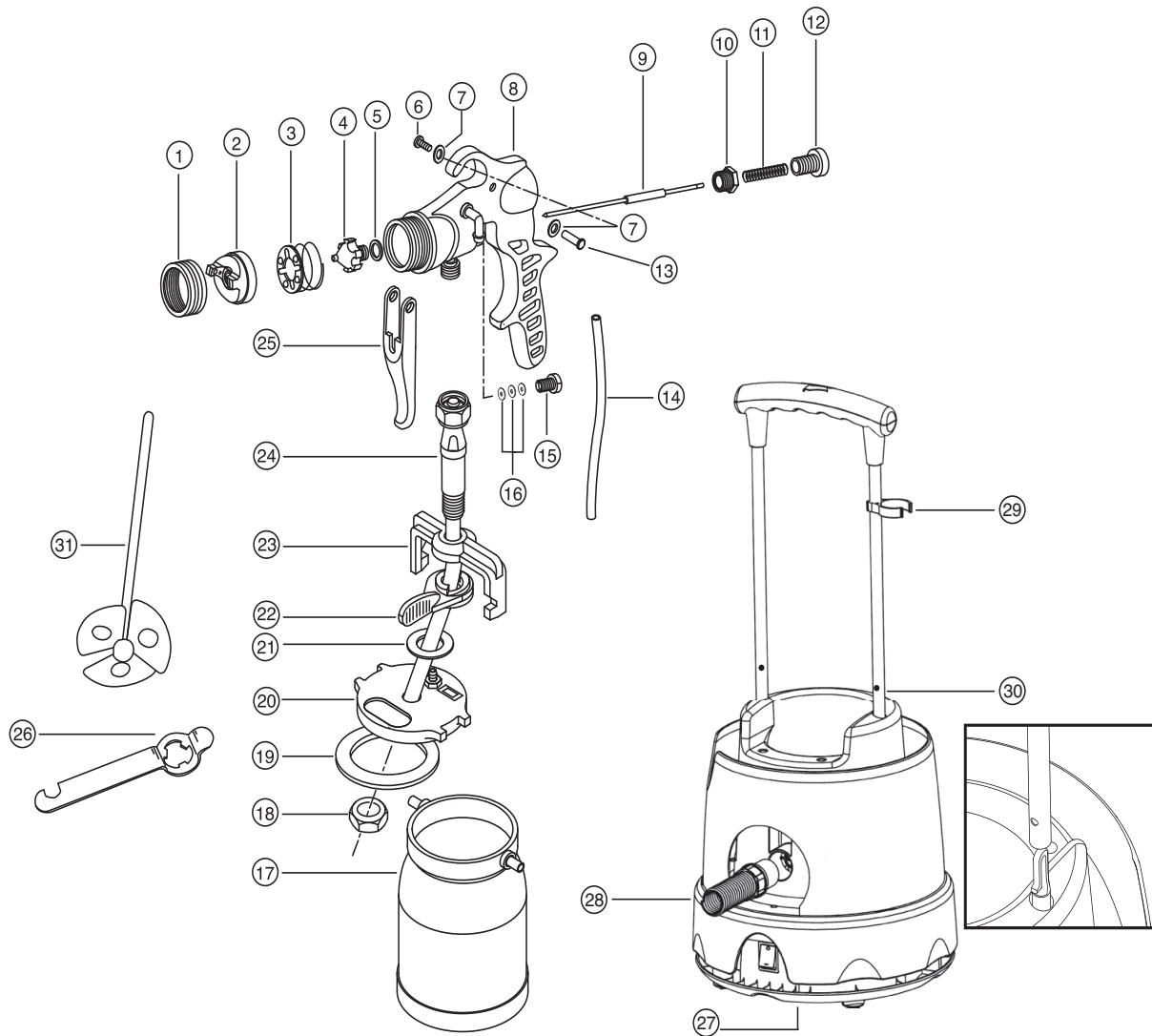
- NON puntare MAI la pistola a spruzzo verso persone o animali. In caso si verificassero infortuni, rivolgersi immediatamente a personale medico qualificato.
- Usare l'applicatore a spruzzo esclusivamente con vernici o solventi che presentino punti critici idonei alla spruzzatura. In caso di dubbio, consultare i dati forniti dal fabbricante della vernice o del solvente.
- Assicurarsi che l'ambiente in cui si effettua la verniciatura a spruzzo sia adeguatamente ventilato.
- NON spruzzare MAI vernice in prossimità di fiamme vive, comprese fiamme pilota.
- NON usare MAI la pistola a spruzzo all'aperto quando piove.
- NON fumare MAI mentre si sta verniciando.
- NON permettere MAI ai bambini di utilizzare o giocare con la pistola a spruzzo.
- Leggere sempre le istruzioni per la diluizione della vernice fornite dal suo fabbricante prima dell'uso.
- Scollegare sempre il dispositivo dalla rete elettrica nel riempire il contenitore della vernice.
- Se il cavo di alimentazione è danneggiato, deve essere sostituito da EARLEX Ltd o ai nostri agenti incaricati al fine di evitare un pericolo.
- Prima di procedere alle operazioni di pulizia, scollegare sempre il dispositivo dalla rete elettrica.
- Questo apparecchio può essere usato da bambini di età superiore agli 8 anni e da persone con ridotte abilità fisiche, sensoriali e mentali o prive di esperienza purché operino sotto diretta supervisione, abbiano ricevuto istruzioni adeguate sull'utilizzo dell'apparecchio in piena sicurezza e comprendano i rischi che questo comporta. I bambini non devono giocare con l'apparecchio. La pulizia e la manutenzione dell'apparecchio non devono essere effettuate da bambini senza supervisione.
- Indossare sempre una maschera facciale protettiva idonea durante la verniciatura a spruzzo. Si consiglia inoltre di indossare guanti, occhiali e indumenti protettivi.
- Dopo ogni uso, pulire sempre la pistola a spruzzo con cura, lubrificando il gruppo punta.
- Usare solo parti di ricambio originali Earlex.
- Earlex raccomanda l'uso di adeguati dispositivi di protezione per le orecchie durante l'utilizzo di questo prodotto.
- Livello di pressione sonora: 85dB(A).

ATTENZIONE - Le sostanze utilizzate con questo applicatore a spruzzo (vernici, solventi, ecc.) potrebbero contenere materiali pericolosi, dannosi, esplosivi o corrosivi. SEGUIRE SEMPRE TUTTE LE ISTRUZIONI PER LA SICUREZZA FORNITE

CON QUESTO PRODOTTO E CON GLI ALTRI MATERIALI IN USO.

Usare questo sistema di verniciatura solo secondo quanto indicato nelle presenti istruzioni.

Legenda sulle parti di ricambio



Le seguenti parti di ricambio sono disponibili presso Earlex.

LISTA DELLE PARTI DI RICAMBIO

Europe: +33 (0)4 76 67 18 46

No.	Descrizione	Parte No.	No.	Descrizione	Parte No.
1.	Anello tappo aria	L0151	18.	Dado perno centraggio	L0189
2.	Tappo aria	L0152	19.	Guarnizione	L0188
3.	Gruppo placca distributore aria	L0162	20.	Gruppo coperchio	L0187
4.	Ugello 2,0 mm	L0157	21.	Spessore	L0186
5.	Tenuta beccuccio	L0159	22.	Leva morsetto	L0185
6.	Vite perno	L0179	23.	Bilancere	L0184
7.	Rondella	L0195	24.	Perno centraggio e Gruppo condotto raccolta	L0183
8.	Gruppo corpo principale	L0180	25.	Leva di comando	L0177
9.	Ugello 2,0 mm	L0166	26.	Chiave inglese	L0191
10.	Adattatore	L0174	27.	Filtro	L0058
11.	Molla	L0175	28.	Tubo flessibile 4m	L1107
12.	Manopola regolazione	L0176	29.	Clip per tubo	L1289
13.	Perno	L0178	30.	Ubicazione e punto di accesso per la rimozione maniglia	L1535
14.	Condotto alimentazione aria	L0182	31.	Vernice Agitatore	L1565
15.	Dado Grande	L0173			
16.	Rondella Grande (2 pezzi)	L0168			
17.	Serbatoio vernice	L0190			

OPZIONI EXTRA

Sono disponibili set di punte e beccucci di varie dimensioni sotto i seguenti numeri di accessori.

Beccuccio, punta, tenuta diam. 1,0 mm HVACC10AFDO
 Beccuccio, punta, tenuta diam. 1,5 mm HVACC15AFDO

Beccuccio, punta, tenuta diam. 2,0 mm HVACC20AFDO
 Beccuccio, punta, tenuta diam. 2,5 mm HVACC25AFDO

LA SCELTA DELLA VERNICE

Questo kit di verniciatura è altamente versatile e può essere usato con vari prodotti spray, fra cui lucidi, smalti protettivi per legno, smalti, vernici a base d'olio e a base d'acqua, e cellulosa. Tuttavia, dato che alcuni prodotti non sono compatibili con un tipo di verniciatura a spruzzo, si prega di leggere attentamente le indicazioni del fabbricante della vernice prima di acquistarla. Se il materiale prevede unicamente applicazioni a pennello, allora generalmente non può essere usato per verniciature a spruzzo.

IL PRESENTE SISTEMA NON PUO' ESSERE USATO PER VERNICI GRANULOSE, LE QUALI POTREBBERO CAUSARE FENOMENI D'USURA PREMATURE. TALE TIPO D'IMPIEGO RENDERÀ NULLA LA GARANZIA.

PER OTTENERE I RISULTATI MIGLIORI DAL PROPRIO KIT A SPRUZZO, SI PREGA DI LEGGERNE ATTENTAMENTE LE ISTRUZIONI PRIMA DELL'USO.

PREPARAZIONE

La preparazione della superficie e la diluizione della vernice sono i due aspetti più importanti da considerare per ottenere i migliori risultati dal proprio kit di verniciatura a spruzzo.

Accertarsi che tutte le superfici siano prive di polvere, sporco, ruggine o grasso. Se necessario, livellare con carta vetrata o simile.

Coprire le aree che non si desidera verniciare è un altro accorgimento molto importante.

FUNZIONAMENTO

Riempire il serbatoio della vernice con il prodotto da spruzzare. Non riempirlo eccessivamente. Mescolare usando Vernice Agitatore (31) in datazione. Prendere l'erogatore a spruzzo e, con la leva del morsetto girata completamente in senso antiorario, sistemare l'unità dell'erogatore a spruzzo sul serbatoio della vernice. Girare il serbatoio finché i due ganci non s'incastano nei recessi corrispondenti situati sulla struttura a giogo (23). Girare quindi in senso orario la leva del morsetto e fissare il serbatoio al coperchio. Non stringere troppo. Collocare l'unità a motore sul pavimento, su una superficie pulita, priva di sporcizia, liquidi o polvere che potrebbero ostruire l'ingresso del motore. Disfare il condotto e farlo scorrere dall'alloggiamento dell'alimentazione fino alla parte posteriore della pistola. Svolgere il cavo della corrente dalla base dell'unità e inserirlo in una presa.

TENERE SEMPRE L'UNITA' A MOTORE IL PIÙ LONTANO POSSIBILE DALL'AREA DI SPRUZZO, PER IMPEDIRE CHE LA VERNICE LO CONTAMINI.

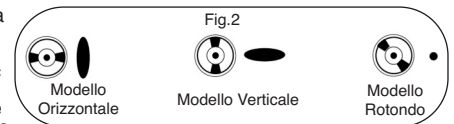
COPRIRE TUTTE LE SUPERFICI CHE NON SI DESIDERA VERNICIARE.

Quando tutto è pronto per la verniciatura, accendere il dispositivo. Se non si preme il grilletto dell'applicatore a spruzzo, non viene erogata nessuna quantità di vernice. Prima di iniziare i lavori di verniciatura su oggetti, si consiglia di provare per qualche minuto su giornali o cartoni per abituarsi all'uso dell'applicatore.

TIPI DI SPRUZZO

L'applicatore a spruzzo presenta tre diversi tipi di spruzzo: orizzontale, verticale e circolare (Fig. 2). I primi due, verticale ed orizzontale, sono consigliati per superfici estese, mentre quello circolare si usa generalmente per oggetti o aree di piccole dimensioni (gli angoli, per esempio), spesso difficili da raggiungere.

Per cambiare il tipo di spruzzo, girare semplicemente il tappo dell'aria (2), fino a quando si ferma con un clic sulle posizioni raffigurate nell'illustrazione a fianco (fig. 2). Le dimensioni totali del tipo di spruzzo selezionato possono anch'esse essere modificate, semplicemente girando l'anello del tappo dell'aria (1). Guardandolo di fronte, girarlo in senso orario per aumentare le dimensioni dello spruzzo, o in senso antiorario per diminuirle.



VOLUME DELLA VERNICE

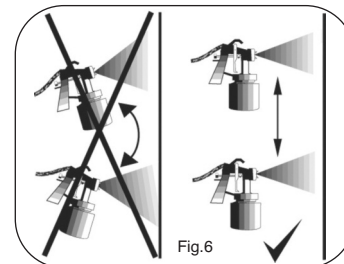
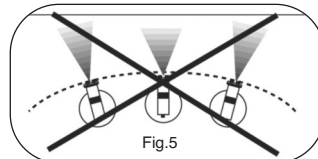
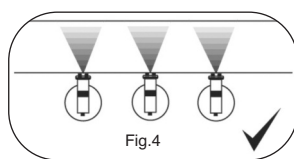
Il volume di vernice erogata è facilmente regolabile (Fig. 3). Chiudere completamente la manopola di regolazione del liquido (12) girandola in senso orario, fino in fondo. Successivamente, premendo il grilletto, girare poco a poco la manopola di regolazione in senso antiorario, fino ad ottenere il volume di vernice desiderato.

Se lo spruzzo di vernice è troppo abbondante, girare nuovamente la manopola di regolazione in senso orario. Una volta ottenuti il volume di vernice e il tipo di spruzzo voluti, tutto è pronto per dare inizio alla verniciatura.



TECNICA DI SPRUZZO

- 1) Per ottenere i migliori risultati, tenere sempre l'applicatore a spruzzo dritto, spruzzando in maniera uguale da un lato all'altro o dall'alto al basso. Non tenere la pistola inclinata rispetto alla parete, per evitare di lasciare sbavature sulla superficie verniciata (Fig. 4).
- 2) Controllare il movimento da sinistra a destra con il braccio, non con il polso, per far sì che la vernice si distribuisca in modo uniforme sull'intera area (Fig. 5).
- 3) Non inclinare lo spruzzatore ad angoli superiori ai 45 gradi (Fig. 6).



SCELTA DELLA PUNTA E DEL BECCUCCIO

Le vernici, gli smalti e i prodotti per il legno vengono prodotti con tante sostanze diverse e presentano pertanto viscosità differenti. L'utente potrebbe accorgersi che il set "punta e beccuccio" di 2 mm fornito con il sistema non consente l'erogazione ottimale per la vernice scelta. In tal caso, il problema potrà essere risolto, con tutta probabilità, scegliendo un set "punta e beccuccio" di dimensioni diverse.

In generale, più il diametro del gruppo "beccuccio e punta" è ampio, più è adatto per prodotti ad alta viscosità, ovvero più densi. I diametri più ridotti sono maggiormente adatti per prodotti a bassa viscosità, cioè più diluiti.

Per rendere possibili queste variazioni, sono disponibili set "punta e beccuccio" opzionali, con diametri di 1, 1,5 e 2,5 mm (cfr. pag. 19).

SUGGERIMENTI UTILI

- 1) Tenere una velocità di movimento dell'applicatore a spruzzo omogenea. Passaggi rapidi producono una copertura sottile, mentre passaggi lenti creano strati più spessi.
- 2) Applicare una mano di vernice alla volta. Se sono necessari più mani, seguire le istruzioni del fabbricante della vernice per verificare i tempi di asciugatura.
- 3) Nel verniciare aree od oggetti di piccole dimensioni, tenere basse le impostazioni dell'erogazione in uscita, per evitare eccessi di vernice e ridurre le sovraverniciature.
- 4) Nel verniciare aree od oggetti di grandi dimensioni, è meglio utilizzare una verniciatura incrociata, o da destra a sinistra e poi dall'alto al basso, o viceversa, per garantire la copertura migliore (Fig. 7).
- 5) Evitare di interrompere e riprendere la verniciatura: ciò potrebbe comportare una verniciatura troppo consistente o insufficiente di alcuni punti superficie.
- 6) Per garantire la copertura dei bordi, iniziare a verniciare all'estremità dell'area da verniciare.
- 7) **PULIRE LO SPRUZZATORE DOPO OGNI USO (VEDERE LE ISTRUZIONI PER LA PULITURA).**

ISTRUZIONI PER LA PULITURA

L'APPLICATORE A SPRUZZO DEVE ESSERE PULITO ACCURATAMENTE SUBITO DOPO OGNI SUO USO, COMPRESA LA RONDELLE A CUI DEDICARE MAGGIOR CURA E PROVVEDERE ALLA RELATIVA LUBRIFICAZIONE. SE LA VERNICE SI SECCA ALL'INTERNO DELLA PISTOLA DI EROGAZIONE, LA PULITURA SUCCESSIVA SI FARÀ MOLTO PIÙ DIFFICOLTOSA O L'APPLICATORE DIVENTERÀ ADDIRITTURA INUTILIZZABILE. QUESTO CASO NON È COPERTO DALLA GARANZIA.

Far uscire la vernice residua dalla pistola a spruzzo nel modo seguente:

- Togliere il serbatoio della vernice (17) dalla pistola.
- Versare eventuali residui di vernice nel suo contenitore per poterla riutilizzare in seguito.
- Con un panno bagnato di solvente, rimuovere la vernice rimasta nel serbatoio, nella parte interna del coperchio (20) e sulla guarnizione (19).
- Versare una piccola quantità di solvente pulito nel serbatoio, rimontare quest'ultimo sulla pistola a spruzzo e scuoterla leggermente.
- Spruzzare tutto il liquido ottenuto.
- Ripetere l'operazione ogni volta, usando solventi puliti, fino a che il solvente erogato non presenta più alcuna traccia di vernice.

Per una pulitura accurata del resto della pistola a spruzzo, togliere tutte le parti operanti raffigurate nell'immagine "esplicativa" di pag. 19 e procedere come segue:

- Allentare e togliere l'anello del coperchio dell'aria (1), il coperchio dell'aria (2), e la placca del distributore d'aria con la molla (3).
- Svitare la manopola di regolazione (12) e tirare fuori la punta (9) e la sua molla (11).
- Usando la chiave inglese in dotazione, togliere il beccuccio (4) e la sua tenuta (5).

Dopo aver pulito la pistola a spruzzo e prima di aver rimontato il beccuccio, immergere la punta nella vaselina, che lubrificerà a sua volta le rondelle del glande una volta inserito il beccuccio.

Le superfici esterne della pistola a spruzzo possono essere pulite con un panno imbevuto di solvente.

NON SMALTIRE MAI VERNICI O SOLVENTI NELLE FOGNATURE. CONTATTARE LE AUTORITÀ COMUNALI LOCALI PER STABILIRNE LA RACCOLTA O PER PARTICOLARI SUL SITO DI DISCARICA AUTORIZZATA PIÙ VICINO.

MANUTENZIONE PERIODICA

Le rondelle del glande (16) impediscono la fuoriuscita d'aria attraverso il beccuccio, fuoriuscita che potrebbe ridurre le prestazioni del sistema a spruzzo e che deve pertanto essere ridotta al minimo. Dopo un certo periodo d'uso, le rondelle inizieranno ad usurarsi, fenomeno del tutto normale che può essere compensato dalla progressiva regolazione del dado del glande (15).

Controllare periodicamente che il dado non sia allentato. NON SERRARE TROPPO IL DADO: ciò comporta un aumento dell'usura delle rondelle. Quando occorre, serrarlo leggermente con la speciale chiave inglese in dotazione.

Serrando il dado, il diametro interno delle rondelle del glande si riduce, chiudendo eventuali buchi fra la punta e le rondelle ed eliminando così perdite eccessive.

UNITÀ A TURBINA

L'unità a turbina richiede manutenzione minima.

- Accertarsi che l'elemento di filtraggio sia sempre pulito.
L'elemento non è che il filtro che si trova sotto il corpo principale dell'unità a motore (27). Scollegare l'unità dalla corrente di rete, voltarla su un fianco e togliere la gommapiuma, la quale può essere lavata all'occorrenza e rimontata una volta che si è completamente asciugata. Il filtro deve essere periodicamente sostituito (Parte No. L0058).
- I cuscinetti della turbina sono permanentemente sigillati e lubrificati e non richiedono alcuna manutenzione o regolazione.
- Pulire la turbina e l'unità del condotto con un panno bagnato dopo l'uso.
- Il condotto può essere conservato arrotolato fra l'alloggiamento del motore e la sua copertura.
- Il cavo d'alimentazione può essere invece conservato arrotolandolo attorno alla base dell'unità e inserendo la spina nello spazio apposito che si trova sulla parte posteriore dell'unità.

RISOLUZIONE DEI PROBLEMI

PROBLEMA	CAUSA	AZIONE RICHIESTA
La vernice sgocciola sugli da verniciara	La vernice è troppo liquida	Aggiungere prodotto non diluito
	Il volume della vernice è troppo alto	Ridurre il flusso di vernice regolando la manopola di regolazione del liquido
	Il movimento è troppo lento	Aumentare la velocità d'applicazione
	Il grilletto della pistola a spruzzo è tenuto premuto troppo a lungo	Lasciare il grilletto prima
	La pistola a spruzzo è troppo vicina	Aumentare la distanza fra la pistola e l'oggetto verniciato
La vernice è sottile o non regolare	La vernice è troppo liquida	Aggiungere prodotto non diluito
	Il volume della vernice è troppo basso	Aumentare il fusso di vernice girando la manopola di regolazione del liquido
	Il movimento è troppo veloce	Rallentare la velocità dell'applicazione
	La pistola a spruzzo è otturata	Pulire la pistola
	La pistola a spruzzo è troppo lontana	Ridurre la distanza fra la pistola e l'oggetto verniciato
Non si ottiene nessun tipo de spruzzo	La vernice è troppo densa	Aggiungere diluente
	La pistola è otturata	Pulire la pistola a spruzzo
	La pipetta di raccolta è otturata	Pulire il condotto d'alimentazione della vernice
	Il condotto dell'aria è rotto	Sostituire il condotto dell'aria
	La vernice è granulosa	Filtrare la vernice
	Il contenitore è quasi vuoto	Riempire il contenitore
	La pistola a spruzzo è inclinata	Far sì che il condotto d'alimentazione della vernice sia inclinato la vernice
	L'ingresso dell'aria è bloccato	Controllare lo stato del filtro e pulirlo se necessario. Pulire o sostituire il filtro (27) se necessario.

CONNESSIONE ALLA RETE

Questo dispositivo è un apparecchio di Classe II, ovvero dispone di un doppio isolamento per garantire l'incolumità personale e non richiede la connessione di messa a terra. Se il cavo di alimentazione è danneggiato, deve essere sostituito da Earlex Ltd o dai suoi rivenditori autorizzati, per evitare un pericolo.

Se si usa una prolunga, accertarsi che abbia una potenza minima di 6 Amp e sia completamente srotolata. Non utilizzare con un cavo avente una potenza inferiore a 6 Amp per evitare un guasto prematuro del motore non coperto dalla garanzia.

Se la spina viene tagliata dal cavo di alimentazione, assicurarsi che venga smaltita in maniera sicura. Non inserire MAI e in nessuna circostanza una spina che sia stata tagliata dal cavo di alimentazione in una presa di corrente.

NOTA - La Earlex ha compiuto tutto quanto era in suo potere per garantire che il sistema di verniciatura a spruzzo, se usato in modo corretto e secondo le presenti istruzioni, abbia una durata di vita estesa e senza problemi. La Earlex non si assume alcuna responsabilità per danni causati dall'uso di sostanze scorrette o non adatte, di vernici o prodotti non diluiti correttamente o non appropriati per le superfici su cui vengono applicati, per rischi alla salute causati dalla mancanza di ventilazione in luoghi di lavoro chiusi, o per guasti del sistema dovuti ad una pulitura insufficiente dei componenti dopo l'uso. In caso di dubbio, provare sempre a verniciare un'area di piccole dimensioni e nascosta prima di iniziare il lavoro. Leggere sempre le istruzioni fornite dal produttore della vernice prima dell'uso. La presente garanzia e le dichiarazioni riportate sopra compromettono i diritti legali dell'utente.

Informativa sullo smaltimento dei rifiuti di apparecchiature elettriche ed elettroniche (RAAE):

Si prega di notare che sono ormai in vigore nuove direttive regolanti lo smaltimento di apparecchi elettrici come questo, secondo le quali, in conformità delle leggi locali, il presente prodotto non può essere smaltito fra i rifiuti normali. È invece responsabilità dell'utente portare i rifiuti elettronici ed elettrotecnici in punti di raccolta appositi, per permetterne il recupero o il riciclaggio. Per ricordare all'utente il giusto comportamento da adottare, questo prodotto è contrassegnato dal simbolo Wheelie cancellato da una croce. L'obiettivo di questa direttiva è contribuire a preservare risorse assicurandone il riciclaggio, nella salvaguardia della salute dell'uomo e dell'ambiente. Per maggiori informazioni sui punti di raccolta dei RAAE, contattare le autorità locali. I punti di raccolta sono gratuiti.



DICHIARAZIONE DI CONFORMITÀ CE

Si dichiara che l'unità HV5500 è conforme con: LVD 2006/95/EC, EN60335-1, EMF EN62233;
EMC 2004/108/EC, EN55014-1, EN55014-2, EN61000-3-2, EN61000-3-3.

Tim Hopper-Technical Director

Registrazione disegno:

GB 2106529
DE 402 04 314.6
FR 02 3314
US D488,169S

Registrazione disegno della pistola a spruzzo:

GB 3006933

Diritto d'autore e diritto di disegno riservati © 2012

GARANZIA

Questo prodotto è garantito per un periodo di 24 mesi contro difetti di fabbricazione e dei materiali. Il prodotto non è garantito per scopi industriali o di noleggio. La garanzia non compromette alcun diritto legale dell'utente. La Earlex Ltd non accetta alcuna responsabilità per usi del prodotto diversi da quanto illustrato nelle presenti istruzioni.

Earlex Sarl.

Tel: +33 (0)4 76 67 18 46

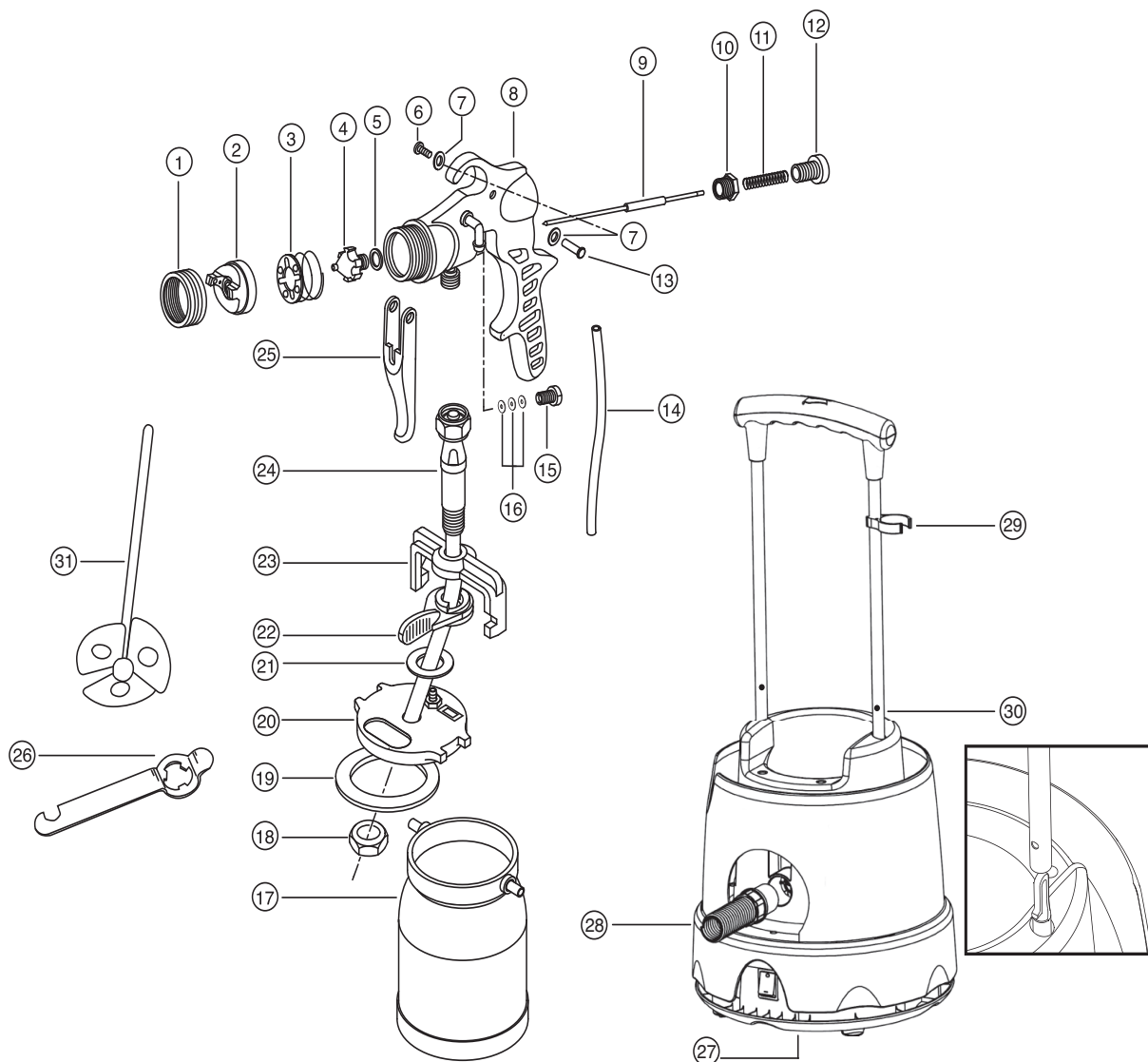
Email: contact@earlex.fr Website: www.earlex.com



SICHERHEITSHINWEISE FUER DEN BETRIEB BITTE VOR GEBRAUCH LESEN

- Richten Sie die Sprühdüse NIEMALS, unter keinerlei Umständen, auf eine andere Person oder ein Tier. Suchen Sie bei einer auftretenden Verletzung unverzüglich einen Arzt auf.
- Die Sprühpistole darf nur mit Farben und Lösungsmitteln benutzt werden, die einen entsprechenden Flammpunkt zum Sprühen haben. Im Zweifelsfall lesen Sie bitte die Angaben des Farb- oder Lösungsmittelherstellers.
- Sorgen Sie beim Sprühen immer für eine ausreichende Belüftung.
- Sprühen Sie NIE in der Nähe einer offenen Flamme, einschließlich einer Zündflamme des Gerätes.
- Verwenden Sie diese Sprühpistole NIE im Freien, wenn es regnet.
- Während des Sprühens NIEMALS rauchen!
- Erlauben Sie Kindern NIEMALS die Sprühpistole zu bedienen oder mit ihr zu spielen.
- Lesen Sie vor Gebrauch immer die Anleitungen des Herstellers zur Verdünnung der Farbe.
- Trennen Sie die Einheit stets von der Stromzufuhr, wenn Sie den Farbbehälter auffüllen.
- Unterbrechen Sie vor der Reinigung des Gerätes immer die Stromzufuhr.
- Wenn das Netzkabel beschädigt ist, muss es durch Earlex Ltd oder unsere Beauftragten ersetzt werden, um Gefährdungen zu vermeiden.
- Tragen Sie beim Sprühen immer die richtige Schutzmaske für das Gesicht. Wir empfehlen auch das Tragen von Schutzhandschuhen, Schutzbrillen und Overalls.
- Reinigen Sie die Sprühpistole nach jedem Gebrauch gründlich und ölen Sie die Dichtung der Flüssigkeitsnadel.
- Verwenden Sie nur Originalersatzteile von Earlex.
- Niemals im Freien bei Regen verwenden.
- Dieses Gerät kann von Kindern ab 8 Jahren sowie von Personen mit eingeschränkten körperlichen, sensorischen oder geistigen Fähigkeiten bzw. Personen ohne ausreichende Erfahrungen und Kenntnisse verwendet werden, sofern sie beaufsichtigt werden oder Anweisungen hinsichtlich des sicheren Gebrauchs des Geräts erhalten haben und sich der damit verbundenen Gefahren bewusst sind. Kinder dürfen mit dem Gerät nicht spielen. Das Gerät darf nicht unbeaufsichtigt von Kindern gereinigt oder gewartet werden.
- Verwenden Sie nicht dieses Produkt wenni hohe Feuchtigkeit, oder wenn Wassertropfen bzw. -spritzer in den Motor gelangen könnten.
- Earlex empfiehlt während der Anwendung geeigneten Hörschutz zu tragen.
- Wir empfehlen die Verwendung eines Gehörschutzes.
- Lärmpegel: 85db(A).

WARNUNG: Die Substanzen, die mit dieser Sprühpistole benutzt werden (Farbe, Lösungsmittel etc.) können gefährliche, schädigende oder ätzende Stoffe beinhalten. HALTEN SIE SICH IMMER AN DIE MIT DIESEM PRODUKT UND DEN VERWENDETEN MATERIALIEN MITGELIEFERTEN SICHERHEITSHINWEISE. Benutzen Sie das Gerät nur wie in dieser Anleitung angegeben.



Die folgenden Teile sind bei Earlex erhältlich.

LISTE DER ERSATZTEILE

Europe: +33 (0)4 76 67 18 46

Hauptbeschreibung

1. Luftdüsenring
2. Luftdeckel
3. Plattenbauteil zur Luftverteilung
4. Flüssigkeitsspitze 2,0 mm
5. Versiegelung der Flüssigkeitsspitze
6. Stiftschraube
7. Dichtung
8. Hauptgehäusebauteil
9. Flüssigkeitsnadel 2,0 mm
10. Adapter
11. Feder
12. Einstellschraube
13. Stift
14. Lufteinlasskanal
15. Mutter des Schlauchanschlusses
16. Dichtung des Schlauchanschlusses
(2 Stck.)

Teil-Nr.

- L0151
L0152
L0162
L0157
L0159
L0179
L0195
L0180
L0166
L0174
L0175
L0176
L0178
L0182
L0173
L0168

Hauptbeschreibung

17. Farbbehälter
18. Mutter für Zentrierbolzen
19. Dichtung
20. Deckelbauteil
21. Abstandsscheibe
22. Klemmhebel
23. Bügel
24. Zentrierbolzen & Aufnahmeröhrenbauteil
25. Betätigungshebel
26. Schraubenschlüssel
27. Filter
28. 4m Luftschlauch
29. Luftschlauch Clip
30. Hand Griff Clip System
31. Malen Rührer

Teil-Nr.

- L0190
L0189
L0188
L0187
L0186
L0185
L0184
L0183
L0177
L0191
L0058
L1107
L1289
L1535
L1565

OPTIONALE EXTRAS

Düsen & Flüssigkeitsspitzen verschiedener Größen sind als Sets unter den folgenden Zubehörnummern erhältlich.

1,0mm Durchmesser Flüssigkeitsspitze, Nadel & Versiegelung HVACC10AFDO
1,5mm Durchmesser Flüssigkeitsspitze, Nadel & Versiegelung HVACC15AFDO

2,0mm Durchmesser Flüssigkeitsspitze, Nadel & Versiegelung HVACC20AFDO
2,5mm Durchmesser Flüssigkeitsspitze, Nadel & Versiegelung HVACC25AFDO

FARBAUSWAHL

Dies ist ein sehr vielseitiges Sprühset, das für verschiedene Sprühmedien benutzt werden kann, einschließlich Lacken, Holzschutzmitteln, Lackfarben, Öl- und Wasserfarben und Zellulose. Dennoch eignen sich einige Materialien nicht zum Sprühen, deshalb sollten Sie die Herstellerempfehlungen prüfen, bevor Sie die Farbe kaufen.

DIESE EINHEIT EIGNET SICH NICHT FUER STRUKTURLACKE. DIE VERWENDUNG DIESER MATERIALIEN VERURSACHT VORZEITIGE ABNUTZUNG, DIE IHRE GARANTIE UNGUETLIG MACHT.

UM MIT IHREM SPRÜHSET DIE BESTEN ERGEBNISSE ZU ERZIELEN, LESEN SIE VOR GEBRAUCH DIE ANLEITUNG BITTE GENAU DURCH.

VORBEREITUNG

Die Vorbereitung der Oberfläche und die Verdünnung der Farbe sind die zwei wichtigsten Tätigkeiten, die zu beachten sind, um die besten Ergebnisse mit Ihrem Sprühset zu erzielen.

Stellen Sie sicher, dass alle Oberflächen frei von Staub, Schmutz, Rost und Fett sind. Falls erforderlich, glätten Sie die Oberfläche mit Sandpapier oder ähnlichem. Es ist wichtig, dass Sie die Flächen abdecken, die Sie nicht besprühen, um sicherzustellen, dass diese Flächen unberührt bleiben.

BETRIEB

Füllen Sie den Farbbehälter mit dem Sprühmedium. Bitte achten Sie darauf, den Behälter nicht zu überfüllen. Rühren Sie mit Malen Rührer (31) geliefert. Nehmen Sie die Sprühpistoleinheit und stellen Sie diese mit dem vollständig gegen den Uhrzeigersinn gedrehten Klemmhebel (22) in den Farbbehälter. Drehen Sie den Behälter bis sich die 2 Stifte in den Vertiefungen des Bügels (23) befinden. Drehen Sie nun den Klemmhebel im Uhrzeigersinn, um den Behälter an dem Deckel zu sichern. Drehen Sie nicht zu fest.

Stellen Sie die Motoreinheit auf eine saubere Stelle auf den Boden, befreien Sie sie von allen losen Fremdkörpern, Flüssigkeiten oder Staubablagerungen, die den Motorzugang blockieren könnten. Wickeln Sie den Schlauch von dem Hauptgehäuse und schließen Sie ihn an der Rückseite der Pistole an. Wickeln Sie das Netzkabel vom Boden der Einheit und stecken Sie den Stecker in eine Steckdose.

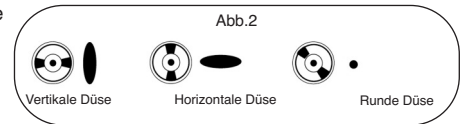
HALTEN SIE DIE MOTOREINHEIT SO WEIT WIE MOEGLICH VON DER SPRUEHFLAECHE ENTFERNT, UM ZU VERHINDERN, DASS DIE FARBE DEN MOTOR VERSCHMUTZT.

DECKEN SIE ALLE FLAECHE AB, DIE NICHT BESPRUEHT WERDEN SOLLTEN.

Wenn Sie alle Vorbereitungen zum Sprühen getroffen haben, schalten Sie das Gerät ein. Es wird so lange keine Farbe gesprüht, bis der Abzugsbügel am Sprühgerät gezogen wird. Bevor Sie mit dem Besprühen von richtigen Objekten beginnen, empfehlen wir Ihnen, vorher auf Pappkartons und Zeitungen zu üben, bis Sie sich an das Arbeiten mit dem Sprühgerät gewöhnt haben.

SPRÜHMUSTER

Die Sprühpistole hat drei verschiedene Sprühmuster - waagrecht, senkrecht und rund (Abb.2). Die waagerechten und senkrechten Sprühmuster werden für große Oberflächen empfohlen. Das runde Sprühmuster eignet sich für kleine Objekte wie z.B. Ecken, die schwierig erreichbar sind. Um das Sprühmuster zu verändern, drehen Sie einfach an der Luftdeckel (2) bis sie hörbar in den dargestellten (Abb. 2) Positionen einrastet.



FARBVOLUMEN

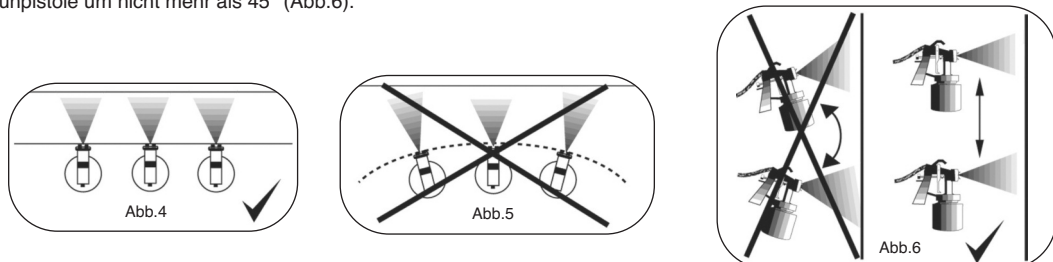
Das Volumen der Sprühfarbe lässt sich leicht anpassen. (Abb.3). Schließen Sie die Einstellschraube (12) vollständig, indem Sie diese so weit wie möglich im Uhrzeigersinn drehen. Während Sie am Anzugbügel ziehen, beginnen Sie mit dem Drehen der Einstellschraube gegen den Uhrzeigersinn, bis das gewünschte Farbvolumen erreicht wird.

Wenn die Sprühfarbe zu viel Farbe enthält, drehen Sie zur Reduzierung die Einstellschraube gegen den Uhrzeigersinn. Wenn Sie das Sprühmuster & das Farbvolumen eingestellt haben, können Sie mit dem Sprühen beginnen.



SPRUEHTECHNIK

1. Um die besten Ergebnisse zu erzielen, behalten Sie die Einstellung an der Sprühpistole immer bei und sprühen Sie gleichmäßig von Seite zu Seite oder von oben nach unten zur Oberfläche. Sprühen Sie nicht von einem Winkel aus, da die Farbe sonst auf der Oberfläche verlaufen kann (Abb. 4).
2. Steuern Sie mit Ihrem Arm und nicht mit Ihrem Handgelenk die Bewegung von links nach rechts, da die Farbe somit gleichmäßig auf der gesamten Fläche verteilt werden kann (Abb.5).
3. Kippen Sie die Sprühpistole um nicht mehr als 45° (Abb.6).



AUSWAHL DER NADEL & DER FLUESSIGKEITSSPITZE

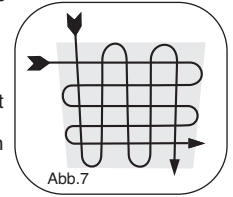
Farben, Lacke; Beizen etc. werden unter Verwendung von sehr vielfältigen Materialien hergestellt & besitzen sehr unterschiedliche Viskositäten. Sie könnten evtl. feststellen, dass die 2,0mm Flüssigkeitsspitze & Nadel, die mit dieser Sprühpistole geliefert wird, es Ihnen nicht ermöglicht, Ihrer speziellen Wahl der Oberflächenbehandlung entsprechend so zu sprühen, wie Sie es gerne wünschen. Bei solchen Fällen ist ein Austauschen der Flüssigkeitsspitze & Nadel sicher die richtige Lösung.

Im Allgemeinen werden dickere Materialien mit einer höheren Viskosität am besten durch eine größere Flüssigkeitsspitze gesprüht, um eine beste Deckung zu erzielen. Dünnere Materialien mit einer geringeren Viskosität werden am besten durch eine kleinere Flüssigkeitsspitze gesprüht.

Um solche Variationen zu ermöglichen, sind Sets mit Flüssigkeitsspitzen & Nadeln als optionale Extras in den Durchmessern 1,0mm, 1,5mm & 2,5 mm (Siehe Seite 24) erhältlich.

HILFREICHE HINWEISE

1. Steuern Sie gleichmäßig die Bewegung des Sprühgerätes. Eine hohe Geschwindigkeit verleiht einen dünnen und eine niedrige Geschwindigkeit einen dicken Anstrich.
2. Wenn Sie kleine Flächen oder Objekte besprühen, halten Sie die Einstellung an der Einstellschraube niedrig, da somit übermäßiger Farbverbrauch verhindert sowie die Gefahr des Übersprühens minimiert wird.
3. Wenn Sie größere Flächen oder Objekte besprühen, ist es am besten, wenn Sie ein Kreuzmuster verwenden, entweder von links nach rechts und dann von oben nach unten oder umgekehrt. So wird eine maximale Deckung aller Flächen sichergestellt (Abb.7).
4. Vermeiden Sie es, während des Sprühens Pausen einzulegen, da dies zu viel oder zu wenig Material auf der Oberfläche führen kann.
5. Damit auch die Ecken bedeckt werden, beginnen Sie mit einem seitlichen Besprühen der zu besprühenden Fläche.
6. **REINIGEN SIE DIE SPRUEHPISTOLE NACH JEDEM GEBRAUCH (SIEHE REINIGUNGANLEITUNG).**



REINIGUNGSANLEITUNG

DIE SPRUEHPISTOLE SOLLTE SOFORT NACH JEDEM GEBRAUCH SORGFALTIG GEREINIGT & DIE DICHTUNGEN DES SCHLAUCHANSCHLUSSES GESCHMIERT WERDEN. WENN DIE FARBE IN DER PISTOLE TROCKNET, ERSCHWERT DIES DIE REINIGUNG UND KANN DAS SPRÜHGERÄT BETRIEBSUNFAEHIG MACHEN. DIES WIRD NICHT VON DER GARANTIE GEDECKT.

Waschen Sie die Farbrückstände aus der Sprühpistole wie folgt aus:

- Entfernen Sie den Farbbehälter (17) von der Sprühpistole.
 - Schütten Sie alle überschüssigen Farbrückstände für spätere Anwendungen zurück in ihren Originalbehälter.
 - Verwenden Sie ein in Lösungsmittel getränktes Tuch, um überschüssige Farbe aus dem Behälter, der Unterseite des Deckels (20) & der Dichtung (19) zu wischen.
 - Schütten Sie eine kleine Menge an sauberen Lösungsmittel in den Behälter, bringen Sie den Behälter wieder an die Sprühpistole an und schütteln Sie die Pistole leicht.
 - Sprühen Sie nun das gesamte Lösungsmittel durch die Pistole.
 - Wiederholen Sie diesen Vorgang immer unter Verwendung von sauberen Lösungsmitteln so lange, bis sich keine Farbspuren mehr in den gesprühten Lösungsmitteln befinden.
- Um den Rest der Sprühpistole sorgfältig zu reinigen, entfernen Sie wie folgt alle Betriebsteile wie in der Detailzeichnung der Ersatzteile, S. 24 dargestellt.
- Lockern und entfernen Sie den Luftdüsenring (1), den Luftdeckel (2) und das Plattenbauteil zur Luftverteilung (3).
 - Nun schrauben Sie die Einstellschraube ab (12) und ziehen die Nadel (9) und die Nadelfeder (11) heraus.
 - Benutzen Sie den mitgelieferten Schraubenschlüssel, um die Flüssigkeitsspitze (4) und die Versiegelung der Flüssigkeitsspitze (5) zu entfernen.

Nach dem Reinigen Ihrer Sprühpistole und vor dem Einsetzen der Nadel, tauchen Sie die Spitze in eine kleine Menge Vaseline, die dann die Dichtungen des Schlauchanschlusses schmieren wird, wenn die Nadel eingeführt wird.

Die äußeren Oberflächen der Sprühpistole können mit einem in Lösungsmittel getränktem Tuch sauber gewischt werden.

SCHUETTEN SIE NIEMALS FARBEN ODER LOESUNGSMITTEL IN DEN ABFLUSS. KONTAKTIEREN SIE IHRE STADTVERWALTUNG ODER GEMEINDE, UM EINE ABSPRACHE ZUR BESEITIGUNG ZU TREFFEN ODER INFORMATIONEN ZU IHRER NAECHSTGELEGENEN SONDERMUELL-DEPONIE ZU ERHALTEN.

REGELMAESSIGE WARNUNG

Die Versiegelungen des Schlauchanschlusses (16) verhindern die Auströmung von Luft hinter der Nadel. Die Ausströmung vermindert die Leistung der Sprühpistole und muss daher auf ein Minimum beschränkt gehalten werden. Nach einer bestimmten Gebrauchszeit nutzen sich die Versiegelungen des Schlauchanschlusses ab. Dies ist normal und kann durch die schrittweise Einstellung der Mutter des Schlauchanschlusses (15) ausgeglichen werden. Prüfen Sie regelmäßig, dass die Mutter des Schlauchanschlusses nicht lose ist. ZIEHEN SIE DIESE NICHT ZU FEST; da das die Abnutzung der Versiegelungen erhöhen wird. Wenn erforderlich, ziehen Sie die Mutter nur leicht mit dem mitgelieferten speziellen Schraubenschlüssel an. Indem Sie diese Mutter fest ziehen, reduziert sich der innere Durchmesser der Versiegelungen des Schlauchanschlusses. Damit schließt sich jede kleine Lücke, die eventuell zwischen der Nadel & den Versiegelungen des Schlauchanschlusses aufgetreten sein könnte und eine übermäßige Ausströmung wird folglich ausgeschlossen.

TURBINENEINHEIT

Die Turbineneinheit erfordert nur eine minimale Wartung.

- Das Filterelement muss jederzeit sauber gehalten werden.
Dies ist der Filter unterhalb des Hauptgehäuses der Motoreinheit (27). Ziehen Sie den Netzstecker, kippen Sie die Einheit auf die Seite und entfernen Sie das Schaummaterial. Falls erforderlich kann diese ausgewaschen und ausgetauscht werden, wenn sie trocken ist. Nach einer gewissen Zeit muss der Filter ersetzt werden (Teile-Nr.L0058).
- Die Turbinenlager sind lebenslang versiegelt und geschmiert. Es ist keine Wartung oder Anpassung ist nötig.
- Reinigen Sie die Turbine und den Schlauch nach Gebrauch mit einem feuchten Tuch.
- Der Schlauch wird gelagert, indem Sie ihn zwischen dem Motorgehäuse und der Schlauchabdeckung aufwickeln.
- Das Netzkabel wird gelagert, indem Sie es um den Boden der Einheit wickeln und den Stecker an der vorgesehenen Stelle an der Rückseite der Einheit befestigen.

PROBLEM	URSACHE	FEHLERBEHEBUNG
Die Farbe läuft an dem besprühten Gegenstand herunter	Farbe zu stark verdünnt	Fügen Sie unverdünntes Material hinzu
	Farbvolumen zu hoch	Reduzieren Sie den Farbfluss mit der Einstellschraube (12)
	Bewegung zu langsam	Erhöhen Sie die Geschwindigkeit beim Auftragen der Farbe
	Abzugsbügel an Sprühpistole zu lange gehalten	Lassen Sie den Abzugsbügel früher los
	Pistole zu nahe	Vergößern Sie den Abstand zwischen Pistole und Werkstück
Farbe ist dünn oder unregelmäßig	Farbe zu stark verdünnt	Fügen Sie unverdünntes Material hinzu
	Farbvolumen zu niedrig	Erhöhen Sie den Farbfluss mit der Einstellschraube (12)
	Bewegung zu schnell	Verringern Sie die Geschwindigkeit beim Auftragen der Farbe
	Pistole blockiert	Reinigen Sie die Pistole
	Pistole zu weit weg	Verringern Sie den Abstand zwischen Pistole und Werkstück
Es wird keine Farbe gesprüht	Farbe zu dick	Fügen Sie Lösungsmittel hinzu
	Pistole blockiert	Reinigen Sie die Pistole
	Saugröhrchen blockiert	Reinigen Sie das Saugröhrchen (24)
	Luftschlauch gerissen	Ersetzen Sie den Luftschlauch
	Körnige Farbe	Filtern Sie die Farbe
	Behälter fast leer	Füllen Sie den Behälter wieder auf
	Pistole befindet sich in einem Winkel	Füllen Sie den Behälter wieder auf
	Luftreinlass blockiert	Überprüfen Sie, dass kein Papier oder lose Ablagerungen den Luftreinlass unterhalb der Einheit blockiert. Reinigen oder ersetzen Filter (27), wenn nötig.

NETZANSCHLUSS

Dieses Gerät entspricht der Klasse II, eine Erdung aus Sicherheitsgründen ist aufgrund einer Doppellisolierung somit nicht notwendig. Sollte das Netzkabel Schäden aufweisen, muss dieses durch den Earlex Kundendienst oder autorisierten Personen ausgetauscht werden um eine Gefahr zu vermeiden.

Wenn Sie ein Verlängerungskabel benutzen wollen stellen Sie sicher, dass er für eine Leistung von mindestens 6 Ampere zugelassen und (besonders im Falle einer Kabeltrommel) immer abgewickelt/abgerollt ist. Eine Verwendung von Kabel/-trommeln die nicht für eine Mindestleistung von 6 Ampere zugelassen zu sein, führt zu einem vorzeitigen Motorschaden und ist durch die Herstellergarantie nicht abgedeckt.

Sollte sich der Stecker vom Kabel gelöst haben entsorgen Sie diesen bitte. Niemals und unter keinen Umständen einen solchen Stecker mit dem Stromnetz verbinden.

INFORMATIONEN RESPEKTIVE DER ABFALLENTSORGUNG GEMÄSS DEN WEEE-VORSCHRIFTEN:

Wir möchten Sie auf die neuen Bestimmungen der Entsorgung von elektrischen Geräten und derer Komponenten aufmerksam machen, welche nach den neuen gesetzl. Bestimmungen nunmehr nicht über den üblichen Haushaltsmüll entsorgt werden darf. Es obliegt nunmehr Ihrer Verantwortung den besagten Elektro-sondermüll im Falle einer notwendigen Entsorgung zu den dafür vorgeschriebenen und bekannten Sammelstellen bzw. Entsorgungszentren zu bringen. Zu diesem Zweck und als Erinnerung ist dieses Produkt mit einem WEEE-Symbol markiert. Das Ziel dieser gesetzl. Bestimmungen ist der Erhalt der natürlichen Ressourcen und die Sicherstellung eines Recyclingsystems zum Schutze der menschlichen Gesundheit und der Umwelt. Für weitere Informationen wie Sie ihren Sondermüll fachgerecht entsorgen können, wenden Sie sich bitte an Ihre örtlichen Stellen und Ämter, die Entsorgung ist in jedem Falle kostenlos.



EG-KONFORMITÄTSERKLAERUNG

Wir erklären hiermit, dass das Gerät HV5500 der: LVD 2006/95/EG, EN60335-1, EMF EN62233;
EMC 2004/108/EG, EN55014-1, EN55014-2, EN61000-3-2, EN61000-3-3.

 Tim Hopper-Technical Director

Geschmacksmusteranmeldung:

GB 2106529
DE 402 04 314.6
FR 02 3314
US D488,169S

Sprühpistole – Geschmacksmusteranmeldung:

GB 3006933

Urheberrechtlich & Design geschützt 2012

GARANTIE

Dieses Produkt besitzt eine 24-monatige Garantie, die sowohl Fertigungs- als auch Materialfehler umfasst. Sie gilt nicht für industrielle oder Mietzwecke. Unsere gesetzlichen Ansprüche bleiben von der Garantie unberührt. Earlex Ltd. übernimmt keine Verantwortung für den Gebrauch dieses Produktes, wenn es für andere, nicht hierin beschriebene Zwecke verwendet wird.



Earlex Sarl.

Tel: +33 (0)4 76 67 18 46

Email: contact@earlex.fr Website: www.earlex.com

BEDIENINGSINSTRUCTIES VOOR VEILIGHEID

WAARSCHUWING! BRAND- EN EXPLOSIEGEVAAR



- **WAARSCHUWING: de stoffen die met dit spuitpistool worden gebruikt (verf, oplosmiddel, etc.) kunnen gevaarlijke, schadelijke, explosieve of bijtende materialen bevatten. HOUD U ALTIJD AAN DE VEILIGHEIDSINSTRUCTIES VAN DIT PRODUCT EN HET GEBRUIKTE MATERIAAL.**

Gebruik de unit alleen zoals in deze instructies is beschreven.

- U mag het spuitpistool onder geen enkele omstandigheid op een andere persoon of een dier richten. In het geval van letsel moet u onmiddellijk een arts raadplegen.
- Het spuitpistool mag alleen worden gebruikt met verven en oplosmiddelen die een vlampunt hebben die geschikt is voor spuiten. Bij twijfel moet u de informatie van de fabrikant van de verf of het oplosmiddel raadplegen.
- Zorg altijd voor voldoende ventilatie wanneer u spuit.
- Spuit NOOIT vlakbij een open vlam, inclusief de waakvlam van het apparaat.
- Gebruik dit spuitpistool NOOIT buiten in de regen.
- Rook NOOIT tijdens het spuiten.
- Lees altijd de instructies van de verffabrikant voor het verdunnen van de verf voordat u deze gebruikt.

- Koppel altijd de unit los van de netvoeding wanneer u de verfcontainer bijvult.
- Voordat u de unit reinigt, moet u de stekker altijd uit het stopcontact halen.
- Als de netvoedingskabel is beschadigd, moet deze door Earlex Ltd of een van onze bevoegde agenten worden vervangen om gevaar te voorkomen.
- Draag altijd het juiste beschermende gezichtsmasker wanneer u spuit. We raden u aan handschoenen, een veiligheidsbril en een overall te dragen.
- Maak het spuitpistool na elk gebruik grondig schoon en smeer de verpakking van de vloeistofnaald.
- Dit apparaat kan door kinderen vanaf 8 jaar en ouder worden gebruikt en personen met verminderde fysieke, zintuiglijke of mentale vermogens of met gebrek aan ervaring en kennis indien ze onder toezicht staan of instructies krijgen voor het veilige gebruik van het apparaat en de gevaren begrijpen. Kinderen mogen niet met het apparaat spelen. Reiniging en onderhoud mag niet door kinderen zonder toezicht worden uitgevoerd.
- Gebruik alleen originele reserveonderdelen van Earlex.
- Earlex beveelt het gebruik van geschikte oorbescherming in voor gebruik van dit product.
- Geluidsdrukkniveau: 85 dB (A)

VERF KIEZEN

Dit is een zeer veelzijdige spuitkit die met diverse spuitmiddelen kan worden gebruikt, waaronder lak, beits, email, olie- en waterverf en autolak. Sommige materialen kunnen echter niet worden gespoten. Raadpleeg de aanbevelingen van de fabrikant voordat u de verf koopt. Als bij een materiaal staat aangegeven dat het alleen met een borstel kan worden aangebracht, dan kan dit doorgaans niet worden gespoten.

DEZE UNIT KAN NIET WORDEN GEBRUIKT MET STRUCTUURVERF. ALS U DIT MATERIAAL GEBRUIKT, SLIJT DE UNIT VOORTIJDIG EN VERVALT UW GARANTIE. U VERKRIJGT HET BESTE RESULTAAT MET UW SPUITKIT DOOR DE INSTRUCTIES ZORGVULDIG TE LEZEN VOOR GEBRUIK.

VOORBEREIDING VAN OPPERVLAK EN WERKSTUK

Het voorbereiden van het oppervlak en het verdunnen van de verf zijn de twee belangrijkste aspecten voor het verkrijgen van het beste resultaat met uw spuitkit. Zorg ervoor dat alle oppervlakken vrij zijn van stof, vuil, roest en vet. Verwijder deze waar nodig met schuurpapier of iets vergelijkbaars. Het afdekken van gedeelten is belangrijk om er zeker van te zijn dat u niet ongewenst op bepaalde gedeelten spuit.

BEDIENING

Vul de verfcontainer met het materiaal dat u wilt spuiten. Vul de container niet te vol. Roer met een verf schudinrichting (31) geleverd.

Neem het spuitpistool en draai de klemhendel (22) volledig tegen de klok in. Plaats het spuitpistool in de verfcontainer (17). Draai de container totdat de 2 pinnen in de inkepingen in het juk (23) vallen. Draai de klemhendel nu met de klok mee om de verfcontainer op het deksel vast te zetten. Draai het niet te vast.

Plaats de motorunit op een schone vloer, vrij van los afval, vloeistof of stoflagen die de inlaat van de motor zouden kunnen blokkeren. Wikkel de luchtslang (28) af en bevestig het ene uiteinde op de achterkant van het spuitpistool en het andere uiteinde op het spuitstation. Wikkel het netsnoer van de onderkant van het apparaat af en steek de stekker in het stopcontact.

HOUD DE MOTORUNIT ZO VER MOGELIJK VAN HET SPUITGEDEELTE VERWIJDERD OM TE VOORKOMEN DAT ER VERF IN DE MOTOR TERECHTKOMT. BEDEK ELK GEDEELTE DAT U NIET WILT SPUITEN.

Wanneer u het apparaat heeft voorbereid en u klaar bent om te spuiten, schakelt u het apparaat in. Er zal geen verf uit het pistool worden gespoten totdat u de trekker overhaalt. Voordat u begint met spuiten op het werkelijke werkstuk, raden we u aan eerst te oefenen op karton of een krant totdat u gewend bent aan het spuitpistool.

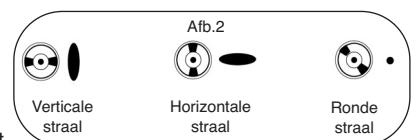
SPUIT PATRONEN

Het spuitpistool heeft 3 verschillende spuitpatronen: –horizontaal, verticaal en rond (afb. 2).

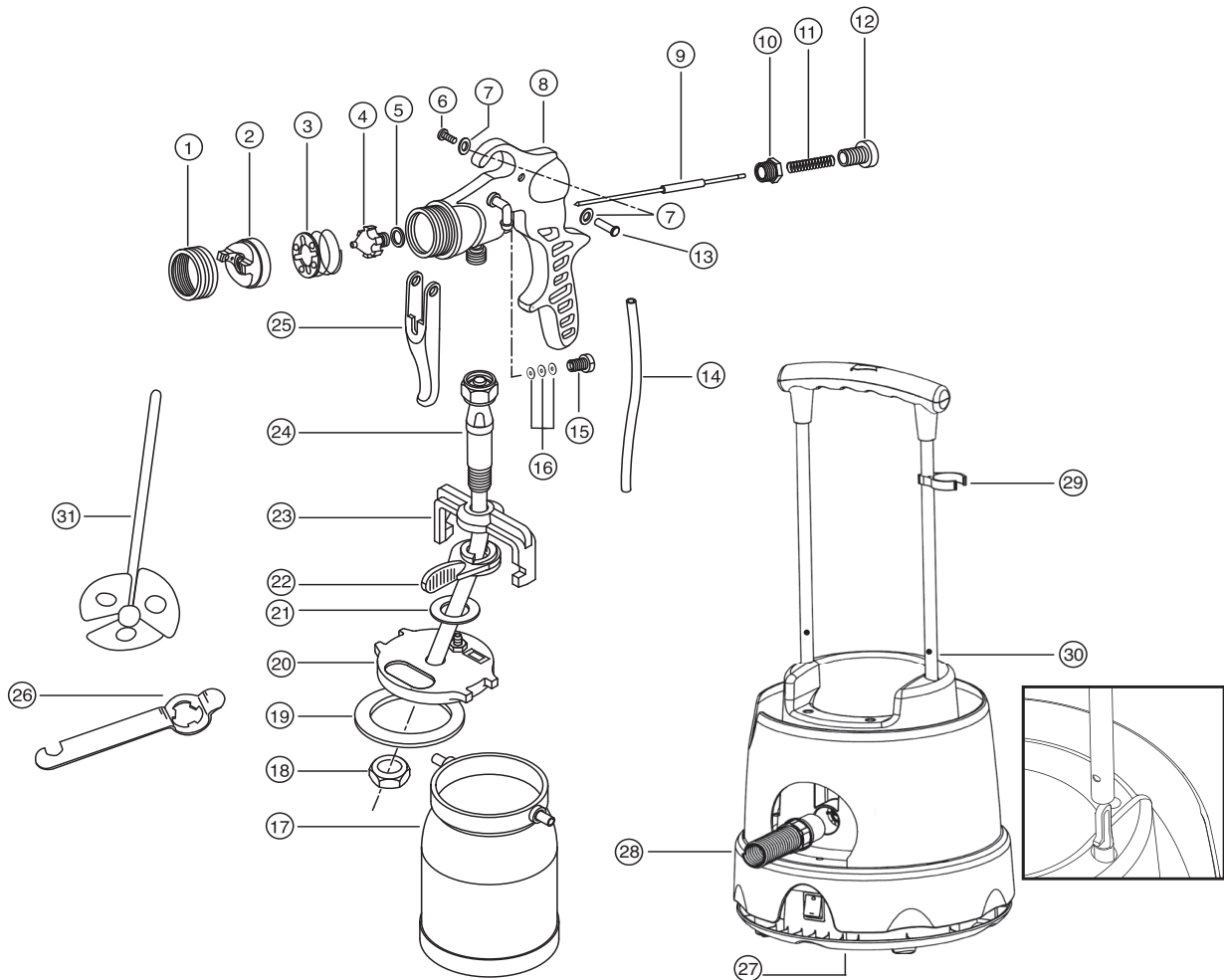
The Horizontal and Vertical sprays are recommended for large surfaces. Het ronde spuitpatroon wordt gebruikt voor kleine objecten of voor gedeelten, zoals hoeken, – die moeilijk te bereiken zijn.

Als u het spuitpatroon wilt wijzigen, draait u de luchtdop (2) totdat u een klik hoort naar de gewenste instelling, zie afb. 2.

U kunt de totale omvang van het gekozen spuitpatroon variëren door de luchtdopring (1) te draaien. Van voren gezien, draait u deze met de klok mee om het patroon te vergroten of tegen de klok in om het patroon te verkleinen.



UITGEKLAPTE WEERGAVE VAN ONDERDELEN



De volgende onderdelen zijn verkrijgbaar bij Earlex. Bel onze hulplijn:
Europa: +33 (0)4 76 67 18 46

ONDERDELEN LIJST

Beschrijving	Onderdeelnr.	Beschrijving	Onderdeelnr.
1. Luchtdopring	L0151	18. Middenbout moer	L0189
2. Luchtdop	L0152	19. Pakking	L0188
3. Luchtdistributieplaat	L0162	20. Deksel	L0187
4. Vloeistofpunt, 0,08"	L0157	21. Vulplaatje	L0186
5. Verzegeling vloeistofpunt	L0159	22. Klemhendel	L0185
6. Spilschroef	L0179	23. Juk	L0184
7. Sluistring	L0195	24. Middenbout en aanvoerslang	L0183
8. Hoofdasssemblage	L0180	25. Bedieningshendel	L0177
9. Vloeistofnaald 0,08"	L0166	26. Spanner	L0191
10. Adapter	L0174	27. Filter (niet afgebeeld)	L0058
11. Veer	L0175	28. Lucht slang 4m	L1107
12. Verstelschroef	L0176	29. Lucht slangclip	L1289
13. Spil	L0178	30. Instellings- en verwijderingspunt voor handgreep	L1535
14. Luchttoevoerslang	L0182	31. Verfroerspaan	L1565
15. Pakkingmoer	L0173		
16. Pakkingsluitring (3 stuks)	L0168		
17. Verfcontainer	L0190		

OPTIONELE EXTRA'S

Naalden en vloeistofpunten met verschillende formaten kunnen als sets worden verkregen onder de volgende accessoirenummers. Bel onze gratis hulplijn om deze te bestellen: +33 (0)4 76 67 18 46.

1,0mm diameter vloeistofpunt, naald en verzegeling	HVACC10AFDO	2,0mm diameter vloeistofpunt, naald en verzegeling	HVACC20AFDO
1,5mm diameter vloeistofpunt, naald en verzegeling	HVACC15AFDO	2,5mm diameter vloeistofpunt, naald en verzegeling	HVACC25AFDO

VERF VOLUME

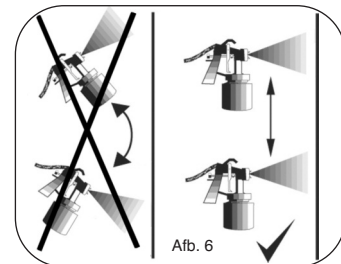
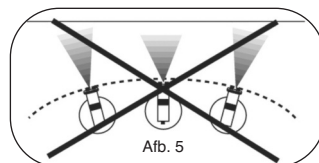
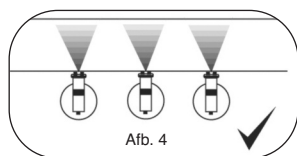
Het volume van de gespoten verf kan gemakkelijk worden versteld (afb. 3). Sluit de verstelschroef (12) helemaal door deze zo ver mogelijk met de klok mee te draaien. Terwijl u aan de trekker trekt, moet u de verstelschroef tegen de klok in draaien totdat het gewenste verfvolume is bereikt.

Als de verfspuit te veel verf bevat, kunt u de versteldop met de klok mee draaien om de hoeveelheid te verminderen. Wanneer u het spuitpatroon en het verfvolume hebt ingesteld, kunt u beginnen met spuiten.



SPIJT TECHNIEK

1. U krijgt het beste resultaat als u het spuitpistool waterpas houdt en gelijkmatig van links naar rechts of van omhoog naar omlaag spuit (afb. 4). Spuit niet vanuit een hoek. Hierdoor loopt de verf uit op het oppervlak (afb. 5).
2. Laat uw arm de beweging van links naar rechts maken en doe dit niet vanuit uw pols. Zo wordt de verf gelijkmatig over het gehele gebied verspreid (afb. 4).
3. Houd het spuitpistool in een hoek van niet meer dan 45° (afb. 6).



VLOEISTOF PUNTEN EN NAALDEN

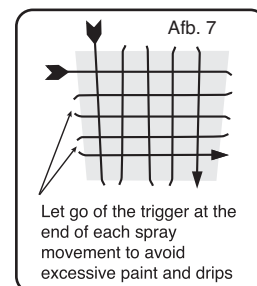
Verf, lak, houtbehandeling, etc., worden gemaakt uit verschillende bestanddelen en hebben zeer uiteenlopende viscositeiten. Het is mogelijk dat u met de 0,08" (2,0mm) diameter vloeistofpunt en de naald die met dit spuitpistool worden meegeleverd het oppervlak niet naar wens kunt afwerken. In een dergelijk geval kunt u een andere vloeistofpunt en een grotere of kleinere naald gebruiken om dit probleem op te lossen.

Over het algemeen kunnen dikkere materialen met een hogere viscositeit het beste worden gespoten door een grotere vloeistofpunt voor de beste dekking. Dunnere materialen met een lagere viscositeit kunnen het beste worden gespoten door een kleinere vloeistofpunt.

Voor deze variaties zijn sets met vloeistofpunten en naalden verkrijgbaar als optionele extra's in 0,04" (1,0mm) diameter, 0,06" (1,5mm) diameter en 0,10" (2,5mm) diameter (zie pagina 30).

HANDIGE TIPS

1. Houd de snelheid van de beweging van het spuitpistool gelijkmatig. Een hoge snelheid produceert een dunne verflaag en een lage snelheid een dikke verflaag.
2. Breng steeds één verflaag aan. Als nog een laag nodig is, moet u de instructies van de verffabrikant voor de droogtijden volgen.
3. Als u kleine oppervlakken of objecten spuit, moet u de instelling van de verstelschroef (12) laag houden, zodat u niet te veel verf gebruikt en er niet te veel naast spuit.
4. Wanneer u grotere oppervlakken of objecten spuit, kunt u het beste met een kriskraspatroon werken, van links naar rechts en op en neer of andersom. Op deze manier krijgt u een maximum dekking (afb. 7).
5. Vermijd stoppen en starten wanneer u spuit, aangezien u dan te veel of te weinig verf op een oppervlak aanbrengt.
6. Om alle randen te dekken, moet u net naast de rand van het te spuiten gedeelte spuiten.
7. **MAAK HET SPIJTPISTOOL SCHOON NA ELK GEBRUIK (ZIE DE REINIGINGSINSTRUCTIES).**



REINIGINGS INSTRUCTIES

HET SPIJTPISTOOL MOET DIRECT NA ELK GEBRUIK GRONDIG WORDEN GEREINIGD EN DE PAKKINGSRINGEN MOETEN WORDEN GESMEERD. ALS DE VERF IS OPGEDROOGD IN HET PISTOOL, ZAL DIT LASTIGER TE REINIGEN ZIJN EN FUNCTIONEERT HET PISTOOL MOGELIJK NIET MEER. DIT WORDT NIET DOOR DE GARANTIE GEDEKT.

Spoel als volgt verfrestanten uit het spuitpistool:

- Verwijder de verfcontainer (17) van het spuitpistool.
- Giet verfrestanten in de originele verbuis voor later gebruik.
- Gebruik een doek doordrenkt met verdunningsmiddel om overtollige verf van de container, de onderkant van het deksel (20) en de pakking (19) te verwijderen.
- Giet een kleine hoeveelheid schoon verdunningsmiddel in de container en plaats de container weer terug op het spuitpistool. Schud het pistool licht.
- Supit nu alle verdunningsmiddel door het pistool.
- Herhaal dit elke keer wanneer u schoon verdunningsmiddel gebruikt, totdat er geen verfrestanten meer te zien zijn in de gespoten vloeistof.

U kunt de rest van het spuitpistool grondig schoonmaken door alle werkende onderdelen als volgt te verwijderen volgens de tekening op pagina 30:

- Draai de luchtdopring (1), luchtdop (2) en luchtdistributieplaat (3) los en verwijder ze.
- Schroef nu de verstelschroef (12) los en trek de vloeistofnaald (9) en veer (11) eruit.
- Gebruik de meegeleverde spanner (26) om de vloeistofpunt (4) en de vloeistofpuntverzegeling (5) te verwijderen.

Nadat u het spuitpistool hebt gereinigd en voordat u de naald plaatst, doopt u de punt in petroleumgel, die de pakkingsluitringen (16) zal smeren wanneer de naald wordt ingebracht. De externe oppervlakken van het spuitpistool kunnen worden schoon geveegd met een doek doordrenkt met verdunningsmiddel.

GOOI NOOIT VERF OF OPLOSMIDDEL DOOR DE AFVOER. NEEM CONTACT OP MET DE GEMEENTE OM HET AFVAL TE LATEN OPHALEN OF VRAAG WAAR HET DICHTSTBIJZIJNDE AFVALPUNT IS.

PERIODIEK ONDERHOUD

Pakkingsluitringen (16) voorkomen dat lucht langs de naald ontsnapt. Door dit lekken werkt het spuitpistool minder goed en dit moet dan ook zoveel mogelijk worden beperkt. Na een bepaalde gebruiksperiode zal de pakkingsluitring slijten. Dit is normaal en kan worden gecompenseerd door geleidelijke verstelling van de pakkingsmoer (15).

Controleer periodiek of de pakkingsmoer niet te los zit. DRAAI DE MOER NIET TE VAST, hierdoor zouden de sluitringen sneller slijten. Wanneer dat nodig is, draait u de pakkingsmoer iets aan met de speciaal meegeleverde moersleutel (26).

Door deze pakkingsmoer vast te draaien, wordt de binnenste diameter van de sluitingsring verkleind en wordt elke kleine opening tussen de naald en sluitingsringen gesloten, zodat er geen lekkage kan ontstaan.

TURBINE UNIT



De turbine-unit heeft slechts minimaal onderhoud nodig

- Zorg ervoor dat het filterelement (27) altijd schoon is.
Dit is de filter onder het hoofdgedeelte van de turbine. Koppel de unit los van de netvoeding, draai het op de zijkant en verwijder de filter. Deze kan worden uitgewassen als dat nodig is en teruggeplaatst wanneer deze weer droog is. Van tijd tot tijd moet deze filter worden vervangen (onderdeelnr. L0058).
- De lagers van de turbine zijn verzegeld en gesmeerd voor de gehele levensduur. Er is geen onderhoud of verstelling nodig.
- Reinig de turbine en de slangunit na gebruik met een vochtige doek.
- De slang moet worden opgeborgen door deze tussen de motorbehuizing en de slangafdekking te wikkelen.
- Het netsnoer moet worden opgeborgen door dit rond de voet van het apparaat te wikkelen en de stekker aan de achterkant op te hangen.

PROBLEMEN OPLOSSEN

PROBLEEM	OORZAAK	VEREISTE ACTIE
De verf loopt op het te spuiten voorwerp	Verf is te veel verdund	Voeg onverdunde verf toe
	Verfvolume is te groot	Verminder de verftoevoer met de verstelschroef (12)
	Beweegt te langzaam	Verhoog de snelheid van het aanbrengen
	Treker van spuitpistool te lang vastgehouden	Laat de trekker eerder los
	Spuitpistool te dichtbij	Vergroot de afstand tussen het pistool en het werkstuk
Verf is dun of onregelmatig	Verf is te veel verdund	Voeg onverdunde verf toe
	Verfvolume is te klein	Verhoog de verftoevoer met de verstelschroef (12)
	Beweegt te snel	Verlaag de snelheid van het aanbrengen
	Spuitpistool zit verstopt	Maak het spuitpistool schoon
	Pistool te ver weg	Verklein de afstand tussen het pistool en het werkstuk
Er wordt geen verf geproduceerd	Verf is te dik	Voeg verdunningsmiddel toe
	Spuitpistool zit verstopt	Maak het spuitpistool schoon
	Aanvoerslang zit verstopt	Maak aanvoerslang schoon (24)
	Luchtslang is gespleten	Vervang de luchtslang (28)
	De verf is korrelig	Filter de verf
	De container is bijna leeg	Vul de verfcontainer (17) bij
	Spuitpistool staat in een hoek	Zorg ervoor dat de aanvoerslang (24) in een hoek op de verf is gericht
	Luchtinlaat is geblokkeerd	Controleer of er geen papier of losse voorwerpen de luchtinlaat onder de unit blokkeren. Reinig of vervang de filter (27) indien nodig

NETVOEDING AANSLUITING

Deze unit is een Klasse II-apparaat, wat betekent dat het dubbel geïsoleerd is voor uw veiligheid. Er is geen geaard snoer nodig. Als het netsnoer is beschadigd, moet dit door Earlex Ltd of onze bevoegde onderhoudsleveranciers worden vervangen, om te voorkomen dat een gevaar.

Als u een verlengsnoer gebruikt, moet deze een specificatie van minstens 6 Amps hebben en volledig uitgerold zijn. Gebruik het apparaat niet met een snoer met een specificatie van minder dan 6 Amps, aangezien de motor hierdoor defect kan raken en uw garantie vervalt.

Als de stekker van het snoer is afgeknipt, moet u deze op veilige wijze weggooien. U mag NOOIT een stekker die van het netsnoer is geknipt in een stopcontact steken.

Ontwerpregistraties:

GB 2106529
DE 402 04 314.6
FR 02 3314
US D488,169S

Ontwerpregistratie van spuitpistool:

GB 3006933

Copyright en ontwerprecht voorbehouden © 2012

EC-verklaring van conformiteit
We verklaren dat de unit HV5500 voldoet aan: LVD 2006/95/EC, EN60335-1, EMF EN62233;
EMC 2004/108/EC, EN55014-1, EN55014-2, EN61000-3-2, EN61000-3-3.

Tim Hopper technisch directeur

GARANTIE

Dit product heeft een garantie van 24 maanden voor fabrieksfouten of defect materiaal. Deze garantie geldt niet voor industriële of huurdoeleinden. Deze garantie heeft geen invloed op uw wettelijke rechten. Voor meer informatie, de gebruikershandleiding of gebruiksaanwijzing kunt u onze hulplijn bellen tussen 08:30 en 17:00 van maandag tot donderdag en op vrijdag tussen 8:30 en 15:45 (exclusief nationale feestdagen) of u kunt onze website bezoeken op www.earlex.com

LET OP: We hebben er alles aan gedaan om ervoor te zorgen dat als u zich aan deze instructies houdt, dit spuitstation lang en probleemloos zal blijven werken. We aanvaarden geen verantwoordelijkheid voor schade die wordt veroorzaakt door het gebruik van incorrecte of ongeschikte substanties, verven of vloeistoffen die niet correct zijn verdund of ongeschikt zijn voor de oppervlakken waarop deze worden aangebracht, gezondheidsrisico's door gebrek aan ventilatie wanneer in een kleine ruimte wordt gewerkt of defecten door onvoldoende reiniging van de componenten na gebruik. Als u twijfelt, kunt u altijd eerst een klein gedeelte testen dat niet zo in het oog springt. Lees altijd de instructies van de verffabrikant. Onze garantie noch de bovenstaande verklaring heeft invloed op uw wettelijke rechten.

Earlex Ltd.

Tel: +44 (0)1483 454666

E-mail: enquiries@earlex.co.uk Website: www.earlex.com

Earlex Sarl.

Tel: +33 (0)4 76 67 18 46

E-mail: contact@earlex.fr Website: www.earlex.com



ИНСТРУКЦИЯ ПО БЕЗОПАСНОЙ ЭКСПЛУАТАЦИИ

ОСТОРОЖНО! УГРОЗА ВОЗНИКНОВЕНИЯ ПОЖАРА ИЛИ ВЗРЫВА



- **ПРЕДУПРЕЖДЕНИЕ!** Используемые в этом пистолете-распылителе вещества (краска, разбавители и т. д.) могут содержать опасные, вредные, взрывоопасные и вызывающие коррозию материалы. **ОБЯЗАТЕЛЬНО СОБЛЮДАЙТЕ УКАЗАНИЯ ПО ТЕХНИКЕ БЕЗОПАСНОСТИ, ПРИЛАГАЕМЫЕ К ЭТОМУ ИЗДЕЛИЮ И ИСПОЛЬЗУЕМЫМ МАТЕРИАЛАМ.**

Используйте этот агрегат только в соответствии с приведенными в настоящем документе указаниями.

- Категорически **ЗАПРЕЩАЕТСЯ** направлять пульверизатор на людей и животных. В случае причинения травмы незамедлительно обращайтесь за помощью к медицинскому работнику.
- Пистолет-распылитель следует использовать только с красками и растворителями, имеющими температуру воспламенения, допускающую распыление. В случае сомнений см. данные производителя краски или растворителя.
- При распылении обязательно обеспечивайте соответствующую вентиляцию.
- **ЗАПРЕЩАЕТСЯ** распылять вблизи открытого пламени, включая пламя запальника устройства.
- **ЗАПРЕЩАЕТСЯ** использовать пистолет-распылитель вне помещений во время дождя.
- **ЗАПРЕЩАЕТСЯ** курить во время распыления.
- Перед использованием следует обязательно прочесть инструкцию по разбавлению производителя краски.
- При заполнении резервуара с краской обязательно отключайте агрегат от сети

- электропитания.
- Перед чисткой обязательно отключайте агрегат от сети электропитания.
- В случае повреждения шнура питания, он должен быть заменен компанией Earlex Ltd или назначенным компанией представителем, чтобы избежать опасности.
- Во время распыления обязательно надевайте правильную защитную маску для лица. Мы рекомендуем использовать перчатки, защитные очки и спецодежду.
- После каждого использования необходимо тщательно очистить пистолет-распылитель и смазать уплотнение иглы регулировки подачи жидкости.
- Этим устройством могут пользоваться дети в возрасте не менее 8 лет и лица с ограниченными физическими, сенсорными или умственными способностями, а также недостаточным опытом и знаниями при условии наличия надзора и проведения инструктажа по безопасному использованию данного устройства и осознания связанных с использованием опасностей. Дети не должны играть с этим устройством. Чистка и выполняемое пользователем техническое обслуживание не должны выполняться детьми без соответствующего надзора.
- Используйте только подлинные запасные части компании Earlex.
- Компания Earlex рекомендует применять при использовании этого изделия соответствующие средства защиты органов слуха.
- Уровень звукового давления: 85 дБ (А).

ВЫБОР КРАСКИ

Это очень универсальный комплект оборудования для распыления, который может использоваться с несколькими распыляемыми материалами, включая лаки, морилку, эмали, краски на масляной и водной основе и автомобильные краски. Однако некоторые материалы распылять запрещено, поэтому, пожалуйста, перед покупкой краски посмотрите рекомендации производителя. Если указано, что материал предназначен для нанесения только кистью, то обычно его нельзя распылять.

ЭТОТ АГРЕГАТ НЕЛЬЗЯ ИСПОЛЬЗОВАТЬ ДЛЯ РАСПЫЛЕНИЯ ТЕКСТУРИРОВАННЫХ КРАСОК. ИСПОЛЬЗОВАНИЕ ЭТИХ МАТЕРИАЛОВ ПРИВЕДЕТ К ПРЕЖДЕВРЕМЕННОМУ ИЗНОСУ ОБОРУДОВАНИЯ И НЕДЕЙСТВИТЕЛЬНОСТИ ГАРАНТИИ. ДЛЯ ПОЛУЧЕНИЯ НАИЛУЧШИХ РЕЗУЛЬТАТОВ ПРИ ИСПОЛЬЗОВАНИИ НАБОРА ОБОРУДОВАНИЯ ДЛЯ РАСПЫЛЕНИЯ СЛЕДУЕТ ВНИМАТЕЛЬНО ПРОЧЕСТЬ ЭТУ ИНСТРУКЦИЮ ДО НАЧАЛА ЭКСПЛУАТАЦИИ.

ПОДГОТОВКА ПОВЕРХНОСТИ И ПРИГОТОВЛЕНИЕ К ПРОВЕДЕНИЮ РАБОТ

Подготовка поверхности и разбавление краски являются двумя наиболее важными аспектами, влияющими на достижение наилучших результатов использования набора оборудования для распыления. Все поверхности должны быть очищены от пыли, грязи, ржавчины и смазочных материалов. При необходимости обработайте поверхности наждачной бумагой или аналогичным материалом. Маскировка соответствующих участков поверхности является важной операцией, позволяющей не наносить распыляемый материал на те области, которые должны остаться в исходном виде.

ЭКСПЛУАТАЦИЯ

Заполните резервуар для краски материалом, который будете распылять. Следите за тем, чтобы не переполнить его. Перемешать с краской мешалки (31) в комплект поставки. Возьмите узел пистолета-распылителя и, повернув рычаг зажима (22) до упора против часовой стрелки, вставьте пистолет-распылитель в резервуар для краски (17). Поверните резервуар так, чтобы 2 шпильки вошли в пазы в вилке (23). Теперь поверните рычаг зажима против часовой стрелки, чтобы зафиксировать резервуар для краски на крышке. Не перетягивайте. Установите агрегат с мотором на чистый участок пола, на котором нет строительного мусора, пролитых жидкостей и защищающих от пыли чехлов, так как они могут засорить воздухозаборник мотора. Разверните воздушный шланг (28) и подключите его к пистолету-распылителю сзади, а другой конец к станции для распыления. Размотайте шнур питания с основания агрегата и подключите его к электросети.

АГРЕГАТ С МОТОРОМ НЕОБХОДИМО УСТАНОВЛИВАТЬ КАК МОЖНО ДАЛЬШЕ ОТ МЕСТА РАСПЫЛЕНИЯ, ЧТОБЫ ИЗБЕЖАТЬ ЗАГРЯЗНЕНИЯ МОТОРА КРАСКОЙ. ЗАКРОЙТЕ ВСЕ УЧАСТКИ, НА КОТОРЫЕ НЕ ТРЕБУЕТСЯ НАНОСИТЬ РАСПЫЛЯЕМЫЙ МАТЕРИАЛ.

После выполнения настройки и подготовки к распылению включите агрегат. Краска не будет распыляться из пистолета до тех пор, пока не будет нажат приводящий в действие рычаг пистолета. Прежде чем начинать выполнять работы по распылению материала на покрываемые объекты, мы рекомендуем потренироваться на листе картона или бумаги, чтобы привыкнуть к тому, как пистолет-распылитель работает.

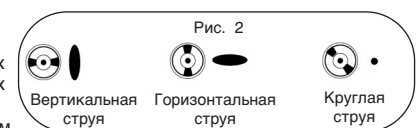
ФОРМЫ РАСПЫЛА

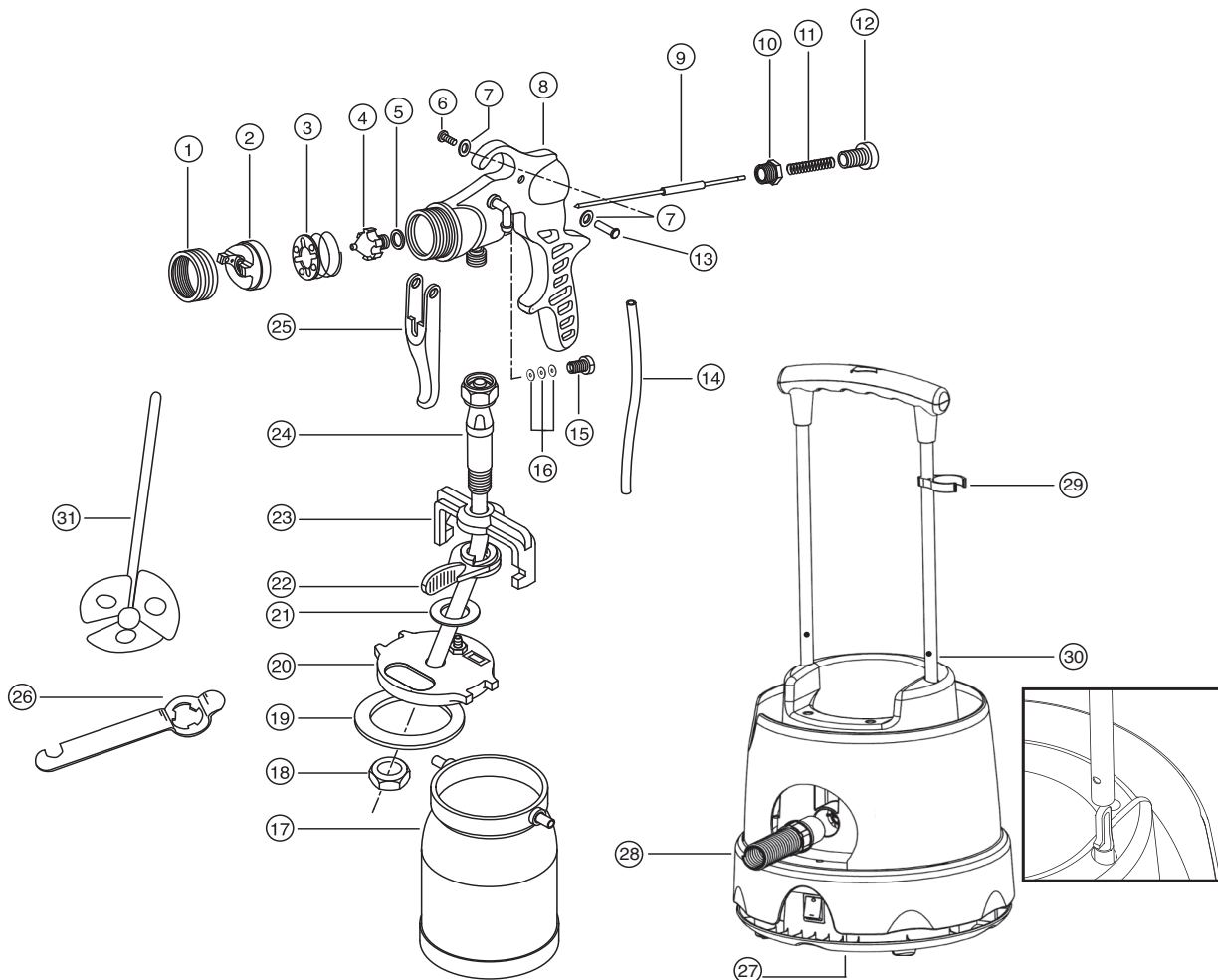
Данный пистолет-распылитель имеет 3 различные формы распыла – горизонтальную, вертикальную и круглую (рис. 2).

Горизонтальную и вертикальную формы распыла рекомендуется использовать в случае больших покрываемых площадей. Круглая форма распыла применяется в случае покрытия мелких объектов или труднодоступных участков, например углов.

Чтобы изменить формы распыла просто поверните воздушный колпачок (2) агрегата до щелчка в нужном положении, как показано на рис. 2.

Общий размер выбранной формы распыла можно изменить вращением кольца воздушного колпачка (1). Если смотреть спереди, то его следует вращать по часовой стрелке для увеличения размера пятна распыла, а для уменьшения – против часовой стрелки.





Компания Earlex предлагает следующие детали. Звоните, пожалуйста, в нашу телефонную службу помощи:
 Европа: +33 (0)4 76 67 18 46

ПЕРЕЧЕНЬ ДЕТАЛЕЙ

Поз.	Описание	Арт. №	Поз.	Описание	Арт. №
1.	Кольцо воздушного колпачка	L0151	17.	Резервуар для краски	L0190
2.	Воздушный колпачок	L0152	18.	Гайка центрального болта	L0189
3.	Узел пластины распределения воздуха	L0162	19.	Уплотнение	L0188
4.	Наконечник регулировки подачи жидкости, 0,08 дюйма	L0157	20.	Крышка в сборе	L0187
5.	Уплотнение наконечника регулировки подачи жидкости	L0159	21.	Прокладка	L0186
6.	Осевой винт	L0179	22.	Рычаг зажима	L0185
7.	Шайба	L0195	23.	Вилка	L0184
8.	Основной корпус в сборе	L0180	24.	Узел центрального болта и заборной трубки	L0183
9.	Игла регулировки подачи жидкости 0,08 дюйма	L0166	25.	Приводящий в действие рычаг	L0177
10.	Переходник	L0174	26.	Ключ	L0191
11.	Пружина	L0175	27.	Фильтр (не показан)	L0058
12.	Регулировочный винт	L0176	28.	Воздушный шланг, 4м	L1107
13.	Ось	L0178	29.	Зажим воздушного шланга	L1289
14.	Трубка подачи воздуха	L0182	30.	Точка регулировки и снятия ручки	L1535
15.	Гайка сальника	L0173	31.	Перемешиватель краски	L1565
16.	Шайба сальника (3 шт.)	L0168			

ДОПОЛНИТЕЛЬНЫЕ ДЕТАЛИ

Иглы и наконечники регулировки подачи жидкости различных размеров можно получить в виде комплектов со следующими артикулами. Для заказа этих комплектов позвоните, пожалуйста, по нашему бесплатному номеру телефонной службы помощи +33 (0)4 76 67 18 46.

Наконечник, игла регулировки подачи жидкости диаметром 1,0 мм с уплотнением
 Наконечник, игла регулировки подачи жидкости диаметром 1,5 мм с уплотнением
 Наконечник, игла регулировки подачи жидкости диаметром 2,0 мм с уплотнением
 Наконечник, игла регулировки подачи жидкости диаметром 2,5 мм с уплотнением

HVACC10AFDO
 HVACC15AFDO
 HVACC20AFDO
 HVACC25AFDO

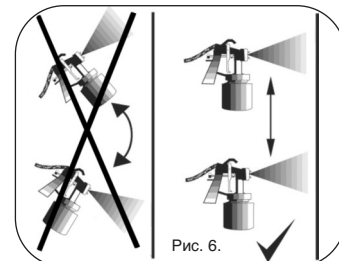
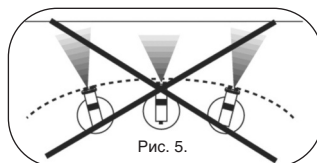
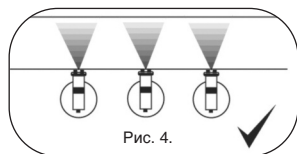
ОБЪЕМ КРАСКИ

Объем распыляемой краски можно легко отрегулировать (см. рис. 3). Полностью закройте регулировочный винт (12), повернув до упора по часовой стрелке. Нажав приводящий в действие рычаг, вращайте регулировочный винт против часовой стрелки до тех пор, пока объем распыляемой краски не будет соответствовать необходимости. Если аэрозоль содержит слишком много краски, то регулировочный винт следует повернуть по часовой стрелке, чтобы уменьшить объем распыляемой краски. После того как нужная форма распыла и распыляемый объем краски установлены, можно приступать к распылению.



МЕТОДИКА РАСПЫЛЕНИЯ

1. Для получения наилучшего результата необходимо держать пистолет-распылитель горизонтально и наносить материал равномерно влево и вправо либо вверх и вниз относительно поверхности (см. рис. 4). Избегайте распыления под углом, так как это приводит к образованию потеков на поверхности (см. рис. 5).
2. Движение слева направо следует контролировать всей рукой, а не одной кистью, так как это помогает равномерно наносить краску по всей поверхности (см. рис. 4).
3. Не наклоняйте пистолет-распылитель под углом более 45° (см. рис. 6).



НАКОНЕЧНИКИ И ИГЛЫ РЕГУЛИРОВКИ ПОДАЧИ ЖИДКОСТИ

Краски, лаки, морилка и т. д. производятся из различных материалов и обладают сильно отличающейся вязкостью. Может оказаться, что входящие в комплект поставки этого пистолета-распылителя наконечник и игла регулировки подачи жидкости диаметром 0,08 дюйма (2,0 мм) не позволяют распылять выбранный материал так, как требуется. В таких случаях проблема может быть устранена путем замены наконечника и иглы регулировки подачи жидкости.

В общем случае, густой и вязкий материал лучше распыляется через наконечник регулировки подачи жидкости большего диаметра, обеспечивая более качественное покрытие. Жидкие, менее вязкие материалы лучше распыляются через наконечники регулировки подачи жидкости меньшего диаметра. Чтобы обеспечить возможность такой настройки, предлагаются дополнительные наборы наконечников и игл регулировки подачи жидкости диаметром 0,04 дюйма (1,0 мм), 0,06 дюйма (1,5 мм) и 0,10 дюйма (2,5 мм) (см. стр. 34).

ПОЛЕЗНЫЕ СОВЕТЫ

1. Перемещайте пистолет-распылитель равномерно с одинаковой скоростью. Высокая скорость обеспечивает тонкое покрытие, а низкая скорость позволяет получить толстое покрытие.
2. Покрытие следует наносить по одному слою. Если необходимо наносить еще слои, время высыхания краски см. в инструкции ее производителя.
3. При покрытии малых площадей или небольших предметов регулировочный винт (12) следует установить на малый расход, так как это позволит избежать перерасхода краски и свести к минимуму чрезмерное распыление.
4. При покрытии больших площадей или крупных предметов лучше всего использовать перекрестную схему, перемещая пистолет-распылитель слева направо, затем сверху вниз или наоборот. Это обеспечит максимальное покрытие (см. рис. 7).
5. Распыляя материал, не прерывайте движение, так как это может привести к нанесению на поверхность слишком большого или недостаточного количества материала.
6. Чтобы обеспечить покрытие краев, начинайте распыление с самого края покрываемой поверхности.
7. **ПИСТОЛЕТ-РАСПЫЛИТЕЛЬ НЕОБХОДИМО ЧИСТИТЬ ПОСЛЕ КАЖДОГО ИСПОЛЬЗОВАНИЯ (СМ. ИНСТРУКЦИЮ ПО ЧИСТКЕ).**



ИНСТРУКЦИЯ ПО ЧИСТКЕ

ПИСТОЛЕТ-РАСПЫЛИТЕЛЬ НЕОБХОДИМО ТЩАТЕЛЬНО ЧИСТИТЬ, И ШАЙБЫ САЛЬНИКА СМАЗЫВАТЬ СРАЗУ ПОСЛЕ КАЖДОГО ИСПОЛЬЗОВАНИЯ. В СЛУЧАЕ ЗАСЫХАНИЯ КРАСКИ ВНУТРИ ПИСТОЛЕТА-РАСПЫЛИТЕЛЯ ВЫПОЛНИТЬ ЧИСТКУ БУДЕТ НАМНОГО СЛОЖНЕЕ И ДАЛЬНЕЙШАЯ ЭКСПЛУАТАЦИЯ МОЖЕТ СТАТЬ НЕВОЗМОЖНОЙ. ГАРАНТИЯ НА ПОДОБНЫЕ СЛУЧАИ НЕ РАСПРОСТРАНЯЕТСЯ.

Промойте пистолет-распылитель от остатков краски следующим образом.

- Отсоедините от пистолета-распылителя резервуар для краски (17).
- Слейте остатки краски в первоначальную емкость для использования в дальнейшем.
- Сотрите смоченной разбавителем салфеткой остатки краски на резервуаре, протрите внутреннюю поверхность крышки (20) и уплотнение (19).
- Налейте немного чистого разбавителя в резервуар, вставьте иглу пистолета-распылителя и слегка встряхните его.
- После этого распылите весь разбавитель с помощью пистолета.
- Повторяйте эту операцию, используя чистый разбавитель, до тех пор, пока в распыляемом разбавителе не перестанут наблюдаться остатки краски.

Для тщательной чистки остальных деталей пистолета-распылителя снимите все рабочие детали согласно приведенному на стр. 34 рисунку деталей в разобранном виде следующим образом.

- Ослабьте и отвинтите кольцо воздушного колпачка (1), воздушный колпачок (2) и узел пластины распределения воздуха (3).
- После этого вывинтите регулировочный винт (12) и вытащите иглу регулировки подачи жидкости (9) с пружиной (11).
- С помощью входящего в комплект ключа (26) отвинтите наконечник регулировки подачи жидкости (4) с уплотнением (5).

После чистки пистолета-распылителя, но до установки иглы опустите наконечник в технический вазелин, что обеспечит смазку шайб сальника (16) во время установки иглы. Наружные поверхности пистолета-распылителя можно протереть чистой салфеткой, смоченной разбавителем.

ЗАПРЕЩАЕТСЯ СЛИВАТЬ КРАСКУ И РАСТВОРИТЕЛЬ В КАНАЛИЗАЦИЮ. ДЛЯ ОРГАНИЗАЦИИ УТИЛИЗАЦИИ ИЛИ ПОЛУЧЕНИЯ ИНФОРМАЦИИ О БЛИЖАЙШЕМ ОФИЦИАЛЬНОМ ПУНКТЕ УТИЛИЗАЦИИ ЭТИХ МАТЕРИАЛОВ ОБРАЩАЙТЕСЬ В МЕСТНЫЙ СОВЕТ.

ПЕРИОДИЧЕСКОЕ ОБСЛУЖИВАНИЕ

Шайбы сальника (16) препятствуют утечке воздуха через отверстие для иглы. Такая утечка снижает производительность пистолета-распылителя и, следовательно, должна быть минимальной. Постепенно шайбы сальника изнашиваются. Это нормальный износ, который может компенсироваться постепенным подтягиванием гайки сальника (15).

Периодически следует проверять, хорошо ли затянута гайка сальника. НЕ ЗАТЯГИВАЙТЕ ЕЕ ЧРЕЗМЕРНО, так как это увеличит износ шайб. При необходимости немного подтяните гайку сальника с помощью входящего в комплект специального ключа (26).

При затягивании этой гайки сальника внутренний диаметр шайб сальника уменьшается, в результате чего создавшийся небольшой зазор между иглой и шайбами сальника устраняется и, следовательно, утечка воздуха устраняется.

Турбоблок требует минимального текущего обслуживания.

- Следите за тем, чтобы элемент фильтра (27) был чистым. Это фильтр, расположенный под основным корпусом турбины. Отключите агрегат от электросети, переверните на бок и снимите фильтр. Его при необходимости можно промыть и, высушив, установить на место. Данный фильтр требует периодической замены (арт. № L0058).
- Подшипники турбины герметично закрыты и заполнены смазкой на весь срок службы. Какого-либо обслуживания или регулировки не требуется.
- После использования турбины и шланг следует протирать влажной салфеткой.
- Шланг следует хранить в свернутом виде между корпусом мотора и крышковой шланга.
- Шнур питания следует хранить, намотав на основание агрегата и вставив вилку в гнездо, расположенное в задней части агрегата.

ПОИСК И УСТРАНЕНИЕ НЕИСПРАВНОСТЕЙ

ПРОБЛЕМА	ПРИЧИНА	НЕОБХОДИМЫЕ ДЕЙСТВИЯ
Краска течет по покрываемой поверхности	Краска слишком сильно разбавлена	Добавьте неразбавленного материала
	Распыляется слишком большой объем краски	Уменьшите поток краски с помощью регулировочного винта (12)
	Пистолет-распылитель перемещается слишком медленно	Наносите покрытие быстрее
	Приводящий в действие рычаг удерживается в нажатом положении слишком долго	Раньше отпускайте рычаг
	Пистолет-распылитель располагается слишком близко к поверхности	Увеличьте расстояние между пистолетом и покрываемой поверхностью
Слой краски получается тонким или неравномерным	Краска слишком сильно разбавлена	Добавьте неразбавленного материала
	Распыляется слишком маленький объем краски	Увеличьте поток краски с помощью регулировочного винта (12)
	Пистолет-распылитель перемещается слишком быстро	Наносите покрытие медленнее
	Пистолет-распылитель засорился	Выполните чистку пистолета-распылителя
	Пистолет-распылитель располагается слишком далеко от поверхности	Сократите расстояние между пистолетом и покрываемой поверхностью
Краска не распыляется	Краска слишком густая	Добавьте разбавитель
	Пистолет-распылитель засорился	Выполните чистку пистолета-распылителя
	Засорилась заборная трубка	Выполните чистку заборной трубки (24)
	Треснул воздушный шланг	Замените воздушный шланг (28)
	Зернистая краска	Профильтруйте краску
	Резервуар почти пустой	Добавьте краски в резервуар (17)
	Пистолет-распылитель наклонен	Изогнутая заборная трубка (24) должна быть направлена к краске
	Засорился воздухозаборник	Проверьте, не перекрыт ли расположенный снизу агрегата воздухозаборник какой-нибудь бумагой или строительным мусором. При необходимости очистите или замените фильтр (27)

ПОДКЛЮЧЕНИЕ К ЭЛЕКТРОСЕТИ

Это устройство относится к II классу, т. е. для обеспечения защиты имеет двойную изоляцию и не требует наличия провода заземления. В случае повреждения шнура питания замену должна производить компания Earlex Ltd или наш уполномоченный представитель, чтобы избежать опасности.

В случае использования удлинителя он должен быть рассчитан на ток не менее 6 ампер и провод должен быть полностью развернут. Не используйте удлинители, рассчитанные на ток менее 6 А, так как это приведет к преждевременному выходу мотора из строя, не покрываемому по гарантии.

При отрезании вилки от шнура питания ее необходимо утилизировать безопасным образом. **КАТЕГОРИЧЕСКИ ЗАПРЕЩАЕТСЯ** вставлять отрезанную от шнура питания вилку в розетку.

Регистрационные номера промышленного образца:

Великобритания 2106529
Германия 402 04 314.6
Франция 02 3314
США D488,169S

Регистрационный номер промышленного образца пистолета-распылителя:

Великобритания 3006933

Авторские права и права на промышленный образец сохранены © 2012 г.

Заявление о соответствии нормам ЕС

Мы заявляем, что устройство HV5500 отвечает требованиям директив по низковольтному оборудованию (LVD) 2006/95/EC, EN60335-1, EMF EN62233; директив по электромагнитной совместимости (EMC) 2004/108/EC, EN55014-1, EN55014-2, EN61000-3-2, EN61000-3-3.



Тим Хоппер (Tim Hopper), технический директор

ГАРАНТИЯ

В случае использования данного изделия в промышленных целях или сдачи его в прокат гарантия не действует. Настоящая гарантия не влияет на ваши права, предусмотренные законодательством. Для получения дополнительной информации, руководства или рекомендаций пользователю, пожалуйста, звоните в нашу службу помощи с 08:30 до 17:00 и с 08:30 до 15:45 по пятницам (кроме банковских выходных) либо посетите наш веб-сайт www.earlex.com.

ОБРАТИТЕ, ПОЖАЛУЙСТА, ВНИМАНИЕ! Мы сделали все возможное, чтобы правильно эксплуатируемая в соответствии с данной инструкцией станция для распыления служила долго и исправно. Мы не несем ответственности за ущерб в результате использования неправильных или неподходящих веществ, красок или жидкостей, которые не были правильно разбавлены или не подходят для поверхностей, на которые наносятся, за ущерб здоровью в результате недостаточной вентиляции при производстве работ в ограниченном пространстве или выход из строя оборудования в результате неправильной чистки узлов и деталей после использования. В случае сомнений обязательно проводите сначала испытания на небольшом малозаметном участке. Обязательно читайте сначала инструкцию производителя краски. Ни наша гарантия, ни приведенное выше заявление не влияют на ваши законные права.

Earlex Ltd.

Тел.: +44 (0)1483 454666

Эл. почта: enquiries@earlex.co.uk Веб-сайт: www.earlex.com

Earlex Sarl.

Тел.: +33 (0)4 76 67 18 46

Эл. почта: contact@earlex.fr Веб-сайт: www.earlex.com



Earlex Ltd.

Tel: +44 (0)1483 454666

Email: enquiries@earlex.co.uk **Website:** www.earlex.com

Earlex Sarl.

Tel: +33 (0)4 76 67 18 46

Email: contact@earlex.fr **Website:** www.earlex.com